

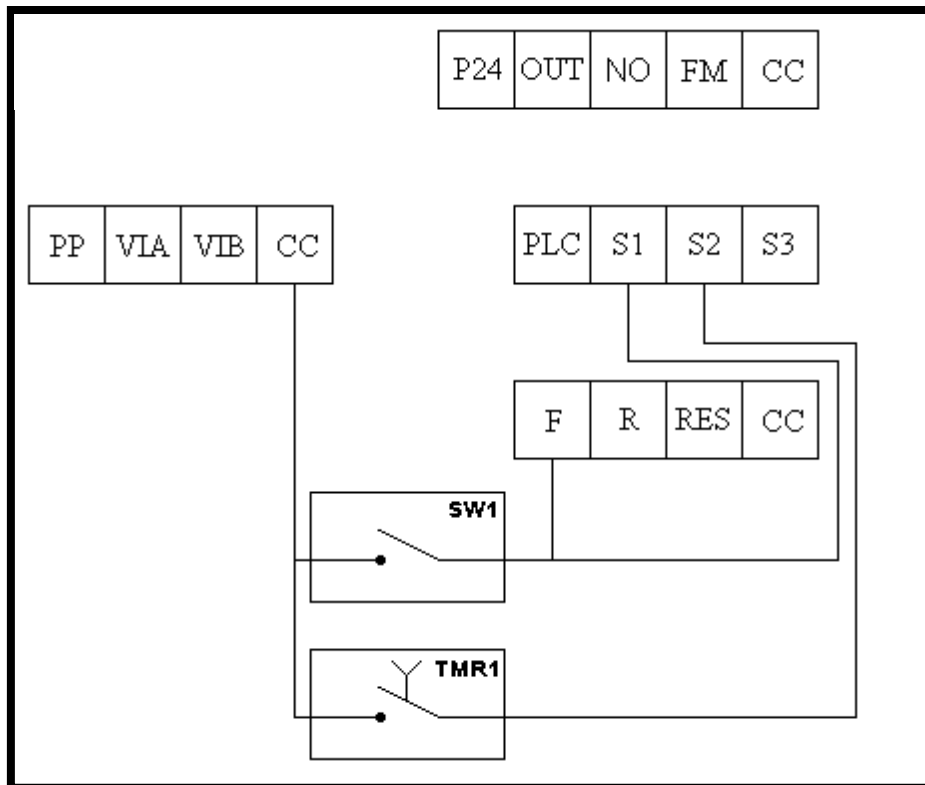
S11 APPLICATION GUIDELINE 3.2

Screen Shaker

Introduction:

This application note makes use of an external timer that will close a dry contact after 10 minutes and then release the contact after 30 seconds.

Connections:



Programming:

Parameter	Description	Default Value	New Value
<i>CMod</i>	Command Mode Selection	1	0
<i>FMod</i>	Frequency Mode Selection	0	1
<i>Sr1</i>	Preset Speed #1	0.0 Hz	60.0 Hz
<i>Sr3</i>	Preset Speed #3	0.0 Hz	90.0 Hz
<i>FH</i>	Maximum Frequency	80.0 Hz	90.0 Hz
<i>UL</i>	Upper Limit Frequency	50.0 Hz (WP) 60.0 Hz (WN, AN)	90.0 Hz

Operation:

Closing Sw1 causes the drive to start and run to 60Hz. When the timer hits 600Sec, the timers contact (TMR1) will close and the drive will ramp to 90Hz. After 30 seconds, the timer contact will open and the drive will return to 60Hz. Opening SW1 will cause a decelerated stop.

Revision History:

Rev.	Date	Written/Revised By	Approved By	Description
3.2	6/22/2011	Joshua Austin	Eric Houg	Modified parameter table, and formatting. Revised to incorporate document control requirements.