

## **S11 APPLICATION GUIDELINE 1.4**

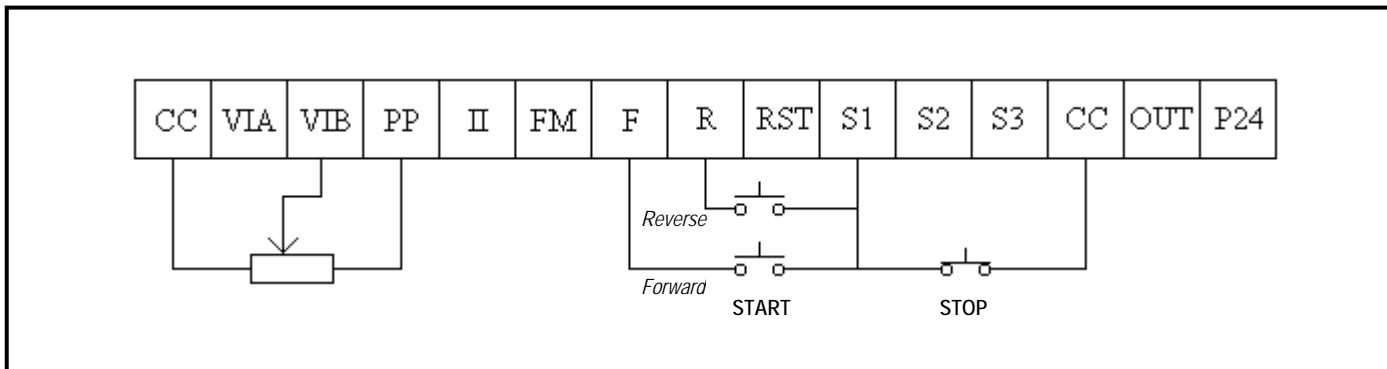
### **3-Wire Control**

### **(One - touch operation)**

#### **Introduction:**

This procedure will set up the S11 to run in either direction using one touch operation. A direction command will be given via a momentary connection to either F or R. The speed reference can be supplied locally or remotely depending upon the application. In this note, a potentiometer will be used as the speed reference. This is a great application to use if you have a critical application where specific checks need to be confirmed before the operation begins. The Hold function acts as the first step in the sequence of operation.

#### **Connections:**



**Sample wiring for a 3-wire control application.**

#### **Programming:**

Parameter	Description	Default Value	New Value
<i>CMD</i>	Command Mode Selection	1 Operational Panel	0 Terminal board
<i>F114</i>	Input terminal selection 4 (S1)	6 Preset-speed command 1	49 Operation Hold

**Operation:**

- The switch between S1 (operation holding) and CC should be closed. If this switch is not closed, any command entered through a terminal is ignored. A momentary contact to either F or R will start the drive if the switch to S1 is closed. Output frequency will be controlled dependent on the setting of *F<sub>REQ</sub>* parameter. Refer to S11 operation and maintenance manual for details on Frequency mode selection

**3 – Wire Control Notes:**

- If a RUN signal is sent during DC braking it will not have an effect until DC braking is completed and the drive has fully stopped.
- To change direction while running, simply close the opposite directional terminal (F or R) to cc. The drive will slow through 0Hz before accelerating in the new direction
- If a Jog run command is issued during the three-wire operation, the inverter will stop.

**Revision History:**

Rev.	Date	Written/Revised By	Approved By	Description
1.4	6/22/2011	Joshua Austin	Eric Houg	Modified parameter table, and simple rewording. Revised to incorporate document control requirements.