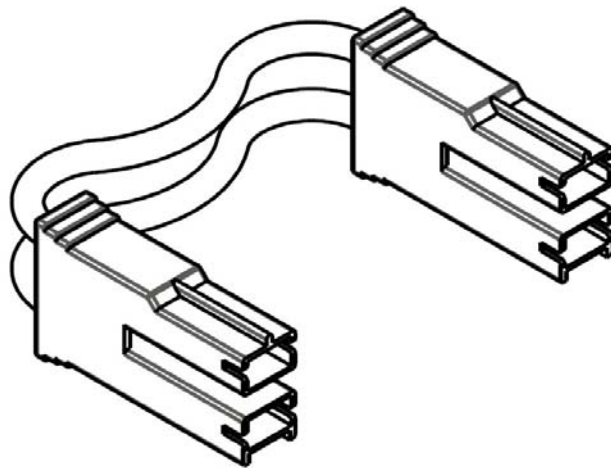





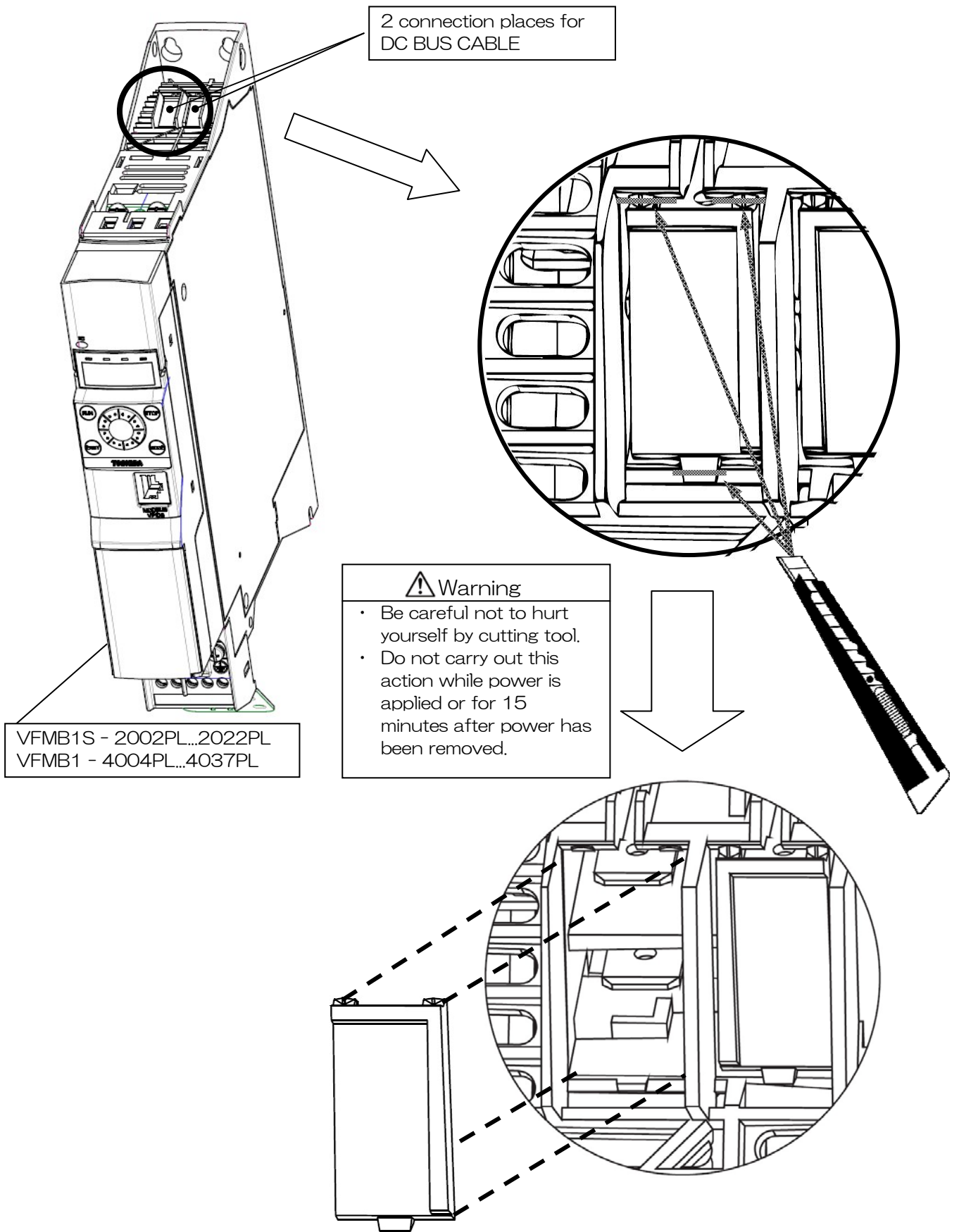
VF-MB1
 DC BUS CABLE option
 Installation manual

Type-Form	CAB0121-5
Applicable Inverter	VFMB1S - 2002PL...2022PL VFMB1 - 4004PL...4037PL

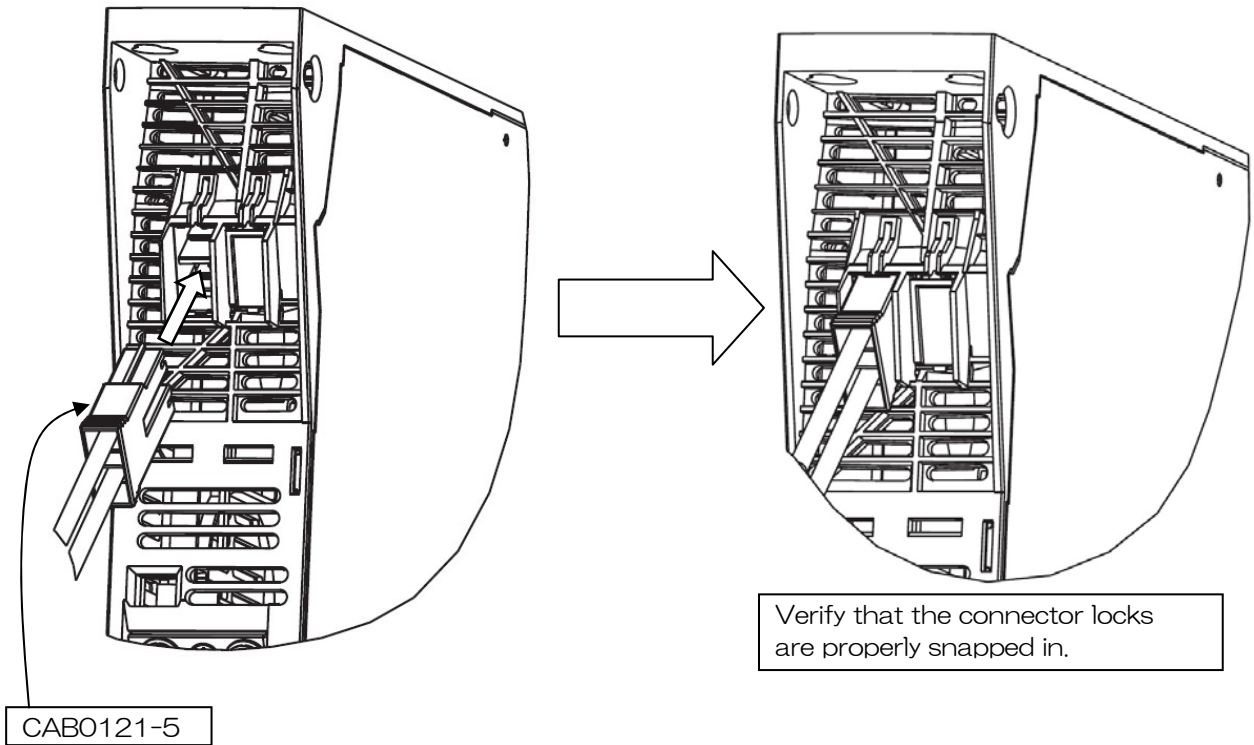


 Warning	
 Prohibited	<ul style="list-style-type: none"> • Do not install this option kit while power is applied or for 15 minutes after power has been removed. • Failure to follow this instruction can result in injury, electric shock or fire.
 Mandatory action	<ul style="list-style-type: none"> • Read the instruction manual. Failure to follow this instruction can result in injury, electric shock or fire. • Installation must be performed by qualified personnel. Failure to follow this instruction can result in injury, electric shock or fire. • Ensure proper earth connection. Failure to follow this instruction can result in injury, electric shock or fire.

[Preparation]



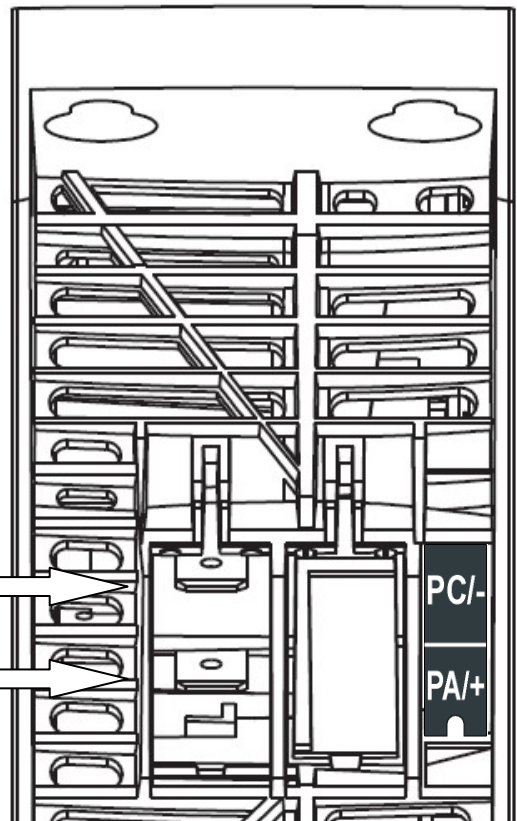
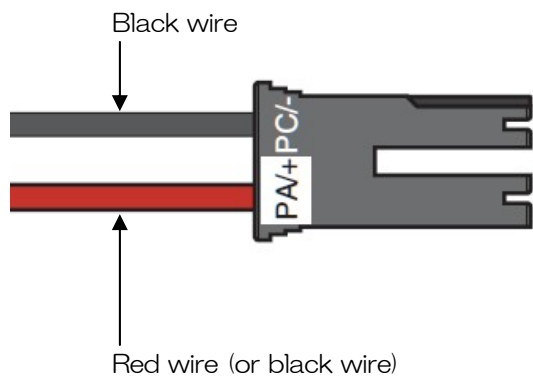
[Connection of cable]



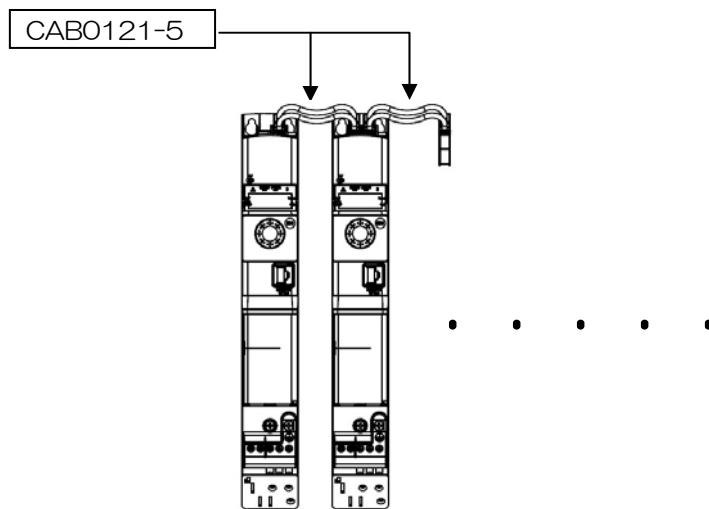
Warning

Risk of injury, electric shock or fire.

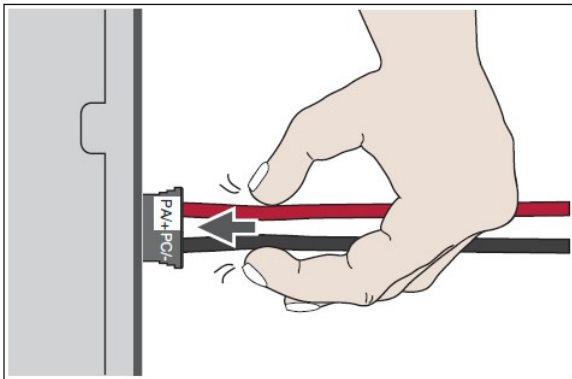
- Insert the connector with a right direction, PA/+ of connector to PA/+ on product
- PC/- of connector to PC/- on product
- Do not insert the connector with a opposite direction.



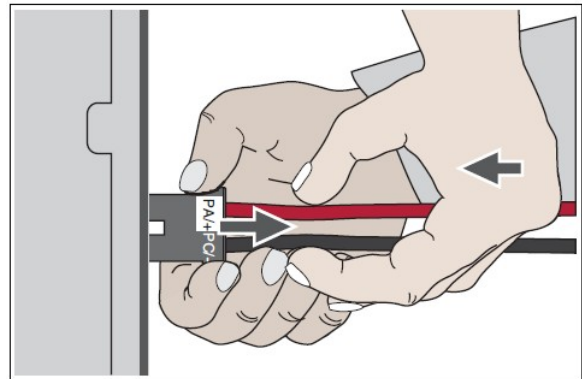
[Multiple units connection]



[Disconnection of cable]



Push the two wires towards the connector



While pushing the wires towards the connector **lightly**, pull the connector at the connector housing with the other hand **strongly**. The connector is unlocked and you can remove the DC bus cable.

[Cable Specification]

Type-Form	UL style	Wire size	Temperature Rating	UL Voltage Rating	Max. Current (30°C room temperature)	Length
CAB0121-5	UL1015	AWG10	105°C	600V	24A	100mm

The user manual and other data are **not** included in this option kit. You can obtain them from your local distributor.