

Motor-end surge voltage suppression filter option for VF-AS1/PS1

Thank you for your purchase of the Motor-end surge voltage suppression filter option for the inverter “TOSVERT VF-AS1 / VF-PS1”.

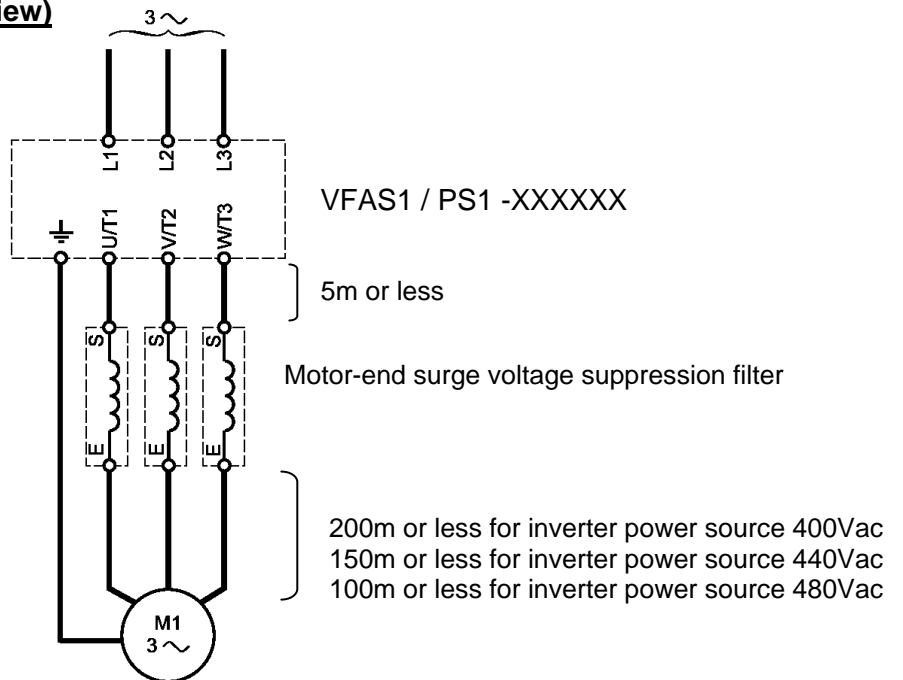
These filters are composed of three filters and used on each output line.
Carrier frequency of inverter must be set to 2.5kHz (setting changed from default 4 kHz for 400V- 45kW to 75kW model). And maximum output frequency of inverter is 100Hz.

Applicable inverter drive

Motor-end surge voltage suppression filter type form	Inverter type form	
	VFAS1	VFPS1
MSL-4215T	VFAS1-4450PL~4900PC, 6750PL~6132KPC	VFPS1-4450PL~4110KPC, 6750PL~6160KPC
MSL-4314T	VFAS1-4110KPC, 4132KPC, 6160KPC, 6200KPC	VFPS1-4132KPC, 4160KPC, 6200KPC, 6250KPC
MSL-4481T	VFAS1-4160KPC~4220KPC, 6250KPC,6315KPC	VFPS1-4220KPC, 4250KPC, 6315KPC,6400KPC
MSL-4759T	VFAS1-4280KPC, 4355KPC, 6400KPC, 6500KPC	VFPS1-4280KPC~4400KPC, 6500KPC, 6630KPC
MSL-41188T	VFAS1-4400KPC, 4500KPC, 6630KPC	VFPS1-4500KPC, 4630KPC

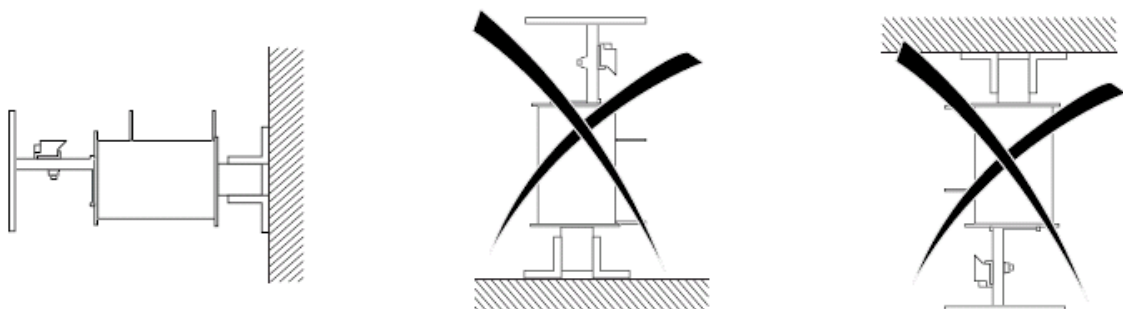
How to install (simple overview)

<How to connect>

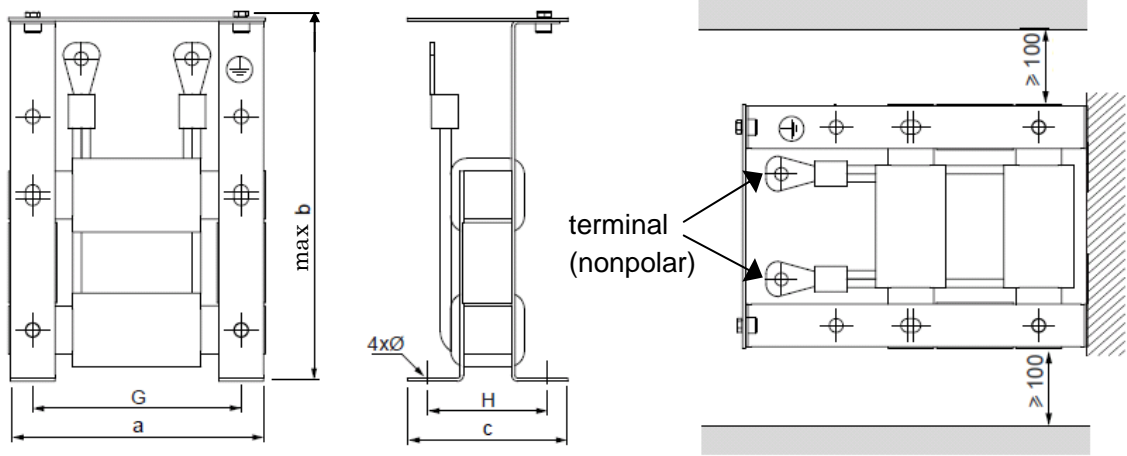


<How to install>

It is necessary to install this filter on the wall.

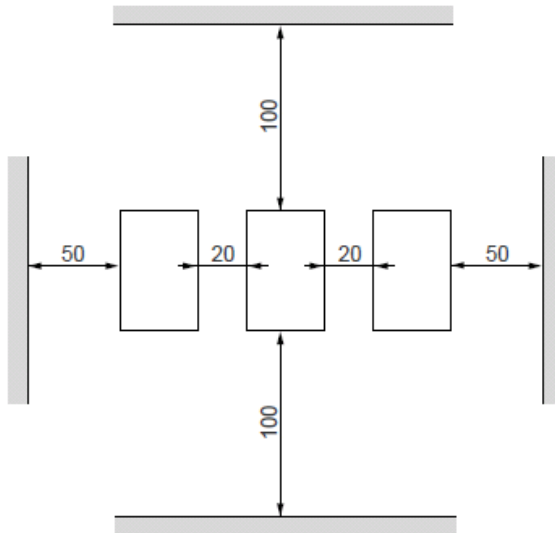


<Outline and area for installation : MSL-4215T, MSL-4314T>

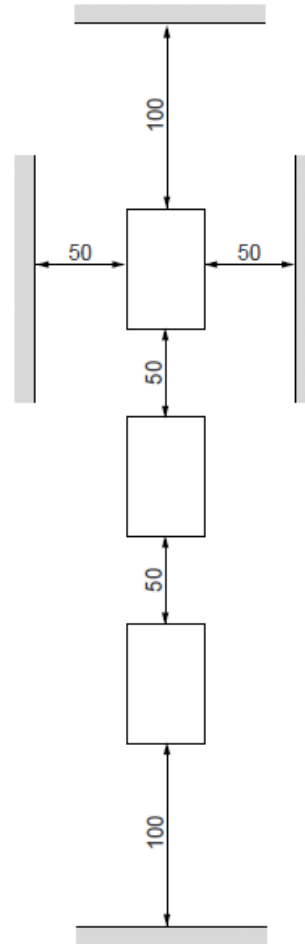


filter type form	a (mm)	b (mm)	c (mm)	G (mm)	H (mm)	Φ(mm)	Terminal	Terminal	Approx. mass (kg)
MSL-4215T	170	250	100	150	75	9x20	M10	φ 9	5.2 x3=15.6
MSL-4314T	210	250	110	175	75	9x13	M10	φ 9	10.8 x3=32.4

<ex. 3 filters installed in horizontal>

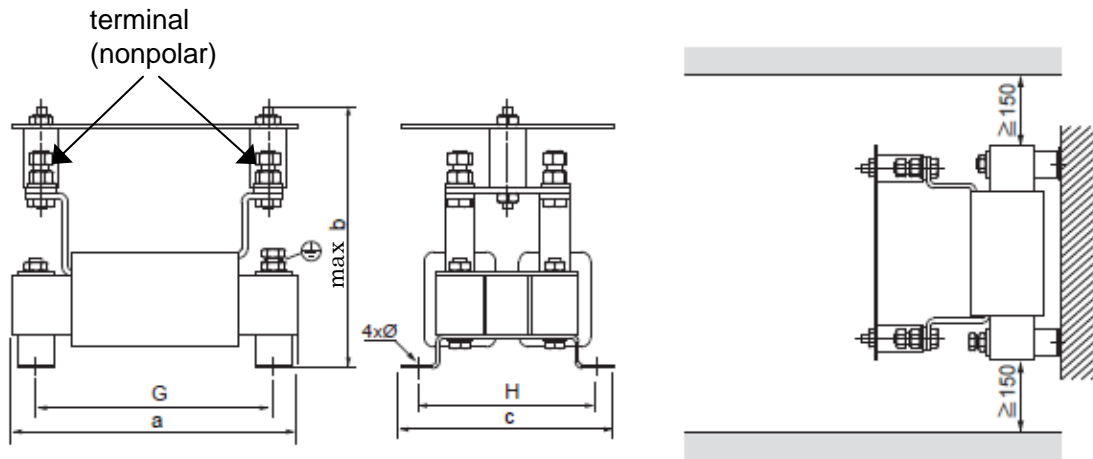


<ex. 3 filters installed in vertical>



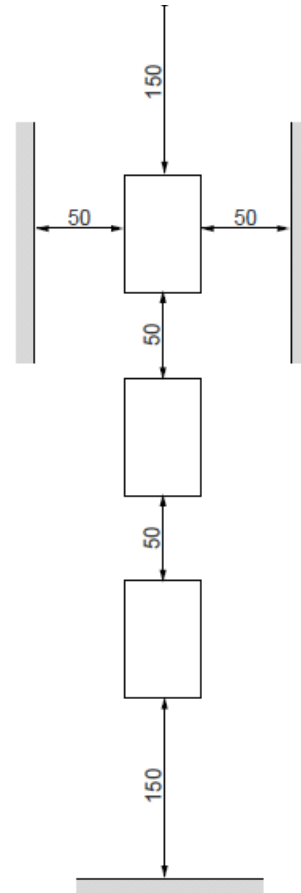
In both cases, direction of wiring is from the front.

<Outline and area for installation : MSL-4481T ~ MSL-41188T>

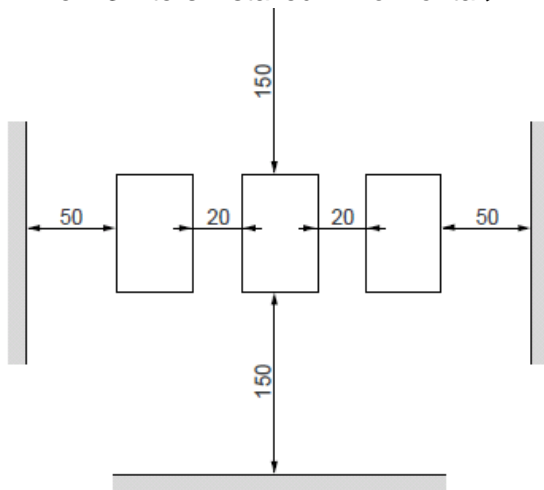


filter type form	a (mm)	b (mm)	c (mm)	G (mm)	H (mm)	Φ(mm)	Terminal	⏚ Terminal	Approx. mass (kg)
MSL-4481T	245	250	200	225	175	9	M12	M8	19.4 x3=58.2
MSL-4759T	315	250	220	275	200	9	M12	M8	31.4 x3=94.2
MSL-41188T	370	250	230	325	200	9	M12	M8	40.6 x3=121.8

<ex. 3 filters installed in vertical>



<ex. 3 filters installed in horizontal>



In both cases, direction of wiring is from the front.