

FX_{2N}-422-BD COMMUNICATION BOARD USER'S GUIDE

This manual contains text, diagrams and explanations which will guide the reader in the correct installation and operation of the FX_{2N}-422-BD COMMUNICATION BOARD. It should be read and understood before attempting to install or use the unit.

Further information can be found in the FX_{2N} HARDWARE MANUAL and the appropriate manual for Programming or monitoring tools.

1. Introduction

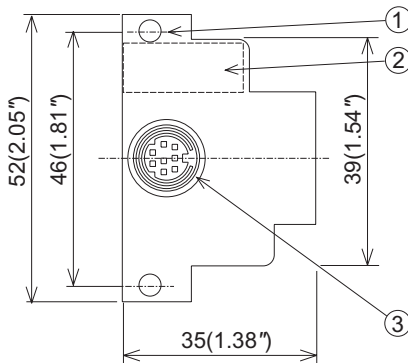
The FX_{2N}-422-BD for RS422 communication board (422BD) can be connected to an FX_{2N} Series programmable controller, and used as a port for programming and monitoring tools.

When the 422BD is used, two DU Series units can be connected to the FX_{2N} or a DU Series unit and a programming tool. However, only one programming tool can be connected at once.

Only one 422BD can be connected to a base unit. Also, the 422BD cannot be used together with the FX_{2N}-485-BD or the FX_{2N}-232-BD.

2. External Dimensions

Dimensions : mm (inches) Accessory : M3 self-tapping screws × 2



- ① Mounting holes (2-φ4.0(0.16"))
- ② Connector for programmable controller
- ③ Connector (MINI DIN 8-pin) for peripheral unit

The top face of this connector is higher than the top face of the panel cover of the programmable controller by approximately 3 mm (0.12") or by approximately 50 mm (1.97") when the cable is connected.

3. Suitable Products and Connecting Cables

Product	Connecting cable	Required 5V DC
FX-20P-E	FX-20P-CAB0 or FX-20P-CAB + FX-20P-CADP	180mA
FX-10P-E		120mA
Personal computer	F ₂ -232CAB-1 + FX-232AW(C) + (FX-422ACB0 or FX-422CAB + FX-20P-CADP) *1	220mA
FX-10DU-E	FX-20P-CAB0 or FX-20P-CAB + FX-20P-CADP	220mA
FX-20DU-E	FX-20DU-CAB0 or FX-20DU-CAB + FX-20P-CADP	180mA
FX-25DU-E,FX-30DU-E, FX-40DU-ES,FX-40DU-TK-ES, FX-50DU-TK(S)-E *2	FX-50DU-CAB0 or FX-40DU-CAB + FX-20P-CADP	30mA

*1: When using other products or cables please check the product manual for required 5V DC supply.

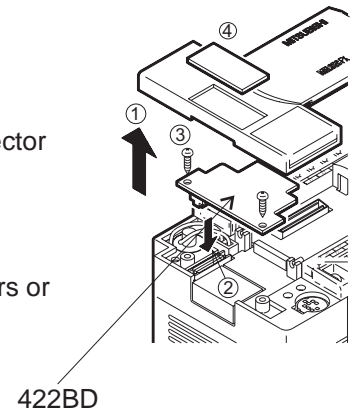
*2: FX-2PIF can not be connected to the FX_{2N}-422-BD.

FX_{2N}-422-BD COMMUNICATION BOARD **USER'S GUIDE**

4. Mounting procedure

Turn off the power of the programmable controller, and mount the 422BD using the following procedure.

- ① Remove the panel cover from the top face of the base unit.
- ② Connect the connector provided on the 422BD to the board mounting connector provided on the base unit.
- ③ Fix the 422BD to the base unit using the M3 self-tapping screws supplied. Tightening torque: 0.3 to 0.6 N•m (3 to 6 kgf•cm)
- ④ Remove the cut out on the left of the panel cover using a tool such as nippers or cutters so that the terminal block can pass through.



5. Specification

5.1 General specification

General specifications are the same as those for the FX_{2N} series programmable controller.

5.2 Power supply specification

The 422BD requires 60mA 5V DC supplied from the programmable controller.

The 5V DC power capacity of the programmable controller is 290 mA maximum. This is used by peripheral units and special function blocks as well as the 422BD. Make sure that the power capacity does not exceed this value. For the details, refer to the hardware manual.

For additional current consumption increases, refer to section 3.

5.3 Performance specification

Interface	Conforming to RS422
Maximum transfer distance	Total extension within 50m.
Connector	MINI DIN 8 pin
Communication method	Half-duplex communication system
Protocol	Programming protocol
Isolation	No isolation

6. Cautions for use

- 1) When using any 422BD, do not use any other communication format or parameters. If the communication format or parameters is set, programming is not possible.
- 2) Only one programming tool (such as FX-10P, FX-20P, etc.) should be connected to either the programming port or the port provided on the 422BD. If a programming tool is connected to both connectors, the following may occur.
 - a) The program inside the programmable controller may not be consistent with the program inside the programming tool. If the program is modified or the set value for timers or counters is modified, a part of the program may be damaged and the programmable controller may malfunction.
 - b) When the sampling trace function of the programmable controller is used from both ports, the correct sampling trace result cannot be obtained.

7. Diagnostics

- 1) Make sure that the cable connected is correct.
- 2) Make sure that the programmable controller is connected, and that the POWER LED is on.
- 3) Make sure that the communication format is in the initial state (D8120 = K0). Check using a peripheral unit how the communication parameters are set. If the no protocol (RS instruction) or the dedicated protocol is selected, set the parameters correctly using the peripheral unit.
- 4) Make sure that the RS, VRRD or VRSC instruction or N:N network setting program is not used in the program. If such an instruction is used in the program, delete it, turn off the power of the programmable controller, then turn it on again.
- 5) If the special auxiliary relay M8070 or M8071 is turned on, turn off the relay using the peripheral unit, turn off the power of the programmable controller, then turn on the power again.