

## Analog trimmer FX<sub>1N</sub>-8AV-BD

The analog trimmer FX<sub>1N</sub>-8AV-BD is a function expansion board which is mounted to the FX<sub>1S</sub>/FX<sub>1N</sub> Series PLC basic unit and used as an analog timer trimmer of rotary switch.

For the specifications and handling, refer to the Hardware manual offered with the FX<sub>1S</sub>/FX<sub>1N</sub> Series PLC basic unit.

### Product configuration

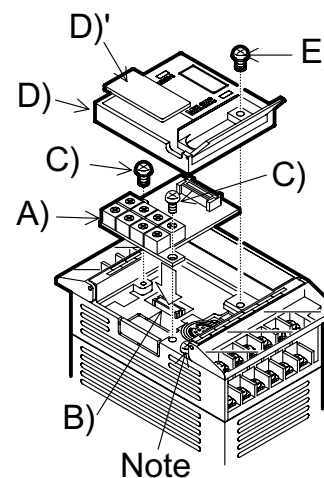
Main unit:	FX <sub>1N</sub> -8AV-BD	
Accessories:	Top cover for board	1
	Tapping screw M3 to mount board	2
	Tapping screw M3 to fix top cover	1
	Trimmer layout label	1

### Applicable model

FX<sub>1S</sub>/FX<sub>1N</sub> Series

### <FX<sub>1N</sub>-8AV-BD installation procedure>

Make sure to turn off the power before installing the FX<sub>1N</sub>-8AV-BD.



- A)** Analog trimmer FX<sub>1N</sub>-8AV-BD (function expansion board)
  - B)** Connector for optional equipment
  - C)** Tapping screw M3 to fix board (2 pieces) (offered as accessories of board)
  - D)** Top cover for board (offered as an accessory of board)
  - E)** Tapping screw M3 to fix top cover (offered as an accessory of board)
- Note:** Do not remove this screw of FX<sub>1S</sub>.

- Connect the analog trimmer **A)** to the connector for optional equipment **B)**.
- Fix the analog trimmer to the basic unit with two tapping screws to fix board **C)**. (Tightening torque: 0.3 to 0.6 N·m)
- Remove the top cover of the basic unit, and attach the top cover for board **D)** instead. During attachment, remove **D)'** with a nipper, etc. so that the connector of the analog trimmer is exposed.
- Fix the top cover with the tapping screw to fix top cover **E)**. (Tightening torque: 0.3 to 0.6 N·m)

Date: APRIL 2000  
JY992D84601B

© Mitsubishi Electric