

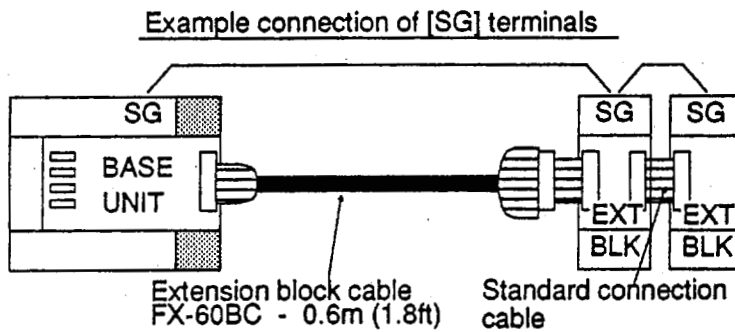
FX-60BC EXTENSION BLOCK CABLE USER'S GUIDE

Introduction

The FX-60BC cable is used for the connection of FX series programmable controls (base units) to FX series extension blocks. For the construction of the optimum PC system the following points should be observed when using this cable:

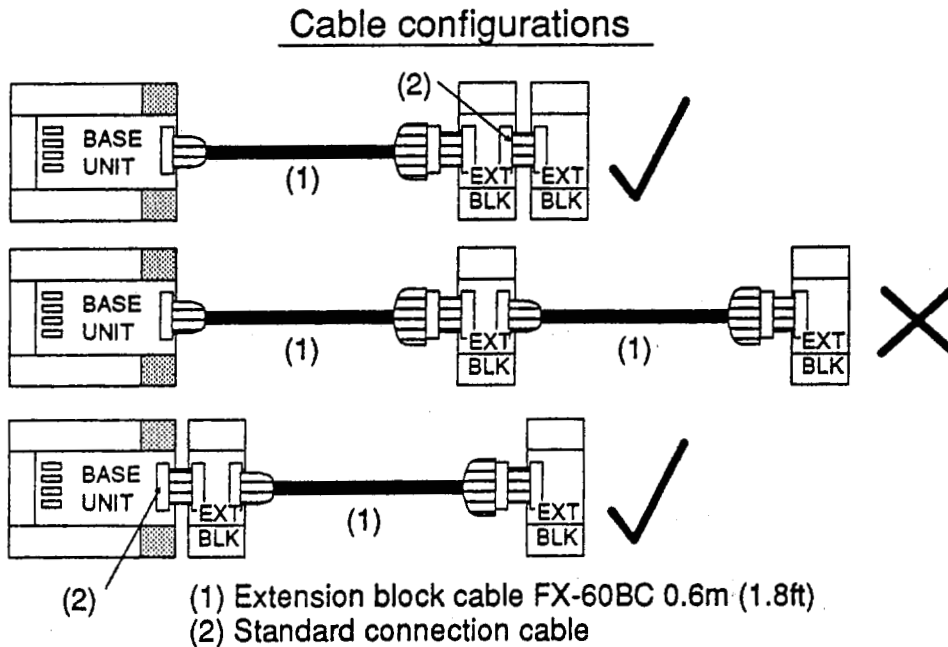
(1) The Wiring Of The [SG] Terminal

Care should be taken when using the FX-60BC extension block cable. The locking socket clips should be firmly pressed into place. The normal practice of connecting the [SG] terminal of consecutive extension blocks **MUST** be followed. The connection cable for the [SG] terminals should be a minimum 2mm² (0.003 inches²).



(2) Cable Configurations

The practice of connecting multiple extension block cables on one FX system is not recommended. This includes the mixed use of the extension block cable (FX-60BC) with extension cables (FX-150EC or FX-300EC). However the positioning of the extension block cable is completely flexible, see below.



(3) Miscellaneous

The practice of laying cables well away from power lines should be observed. Under some conditions excess electrical noise may make it necessary to filter local power supplies.

