



**FX-4DA  
SPECIAL FUNCTION BLOCK**

**USER'S GUIDE**

JY992D61001B

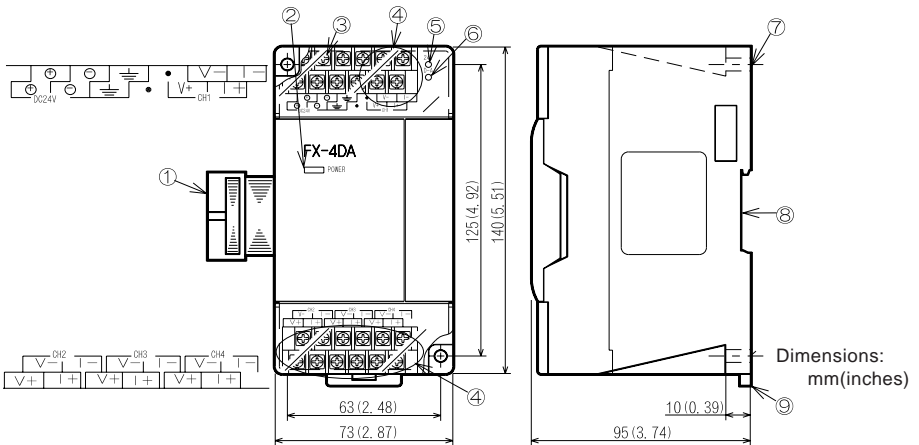
This manual contains text, diagrams and explanations which will guide the reader in the correct installation and operation of the FX-4DA special function block and should be read and understood before attempting to install or use the unit.

Further information can be found in the FX PROGRAMMING MANUAL and FX SERIES HARDWARE MANUAL.

**1 INTRODUCTION**

- The FX-4DA analog special function block has four output channels. The output channels take a digital value and output an equivalent analog signal. This is called a D/A conversion. The FX-4DA has a maximum resolution of 12 bits.
- The selection of voltage or current based input/output is by user wiring. Analog ranges of -10 to 10V (resolution: 5mV), and/or 0 to 20mA (resolution: 20μA) maybe selected independently for each channel.
- FX programmable controllers versions 2.0 or later (those with serial number 13XXXX or larger) are required; as these units have the TO/FROM applied instructions in their instruction set. Data transfer between the FX-4DA and the FX base unit is by buffer memory exchange. There are 32 buffer memories (each of 16 bits) in the FX-4DA.
- The FX-4DA occupies 8 points of I/O on the FX, FX2c expansion bus. The 8 points can be allocated from either inputs or outputs. The FX-4DA draws 30mA from the 5V rail of the base unit or powered extension unit.

**2 EXTERNAL DIMENSIONS AND PARTS**



● Weight: Approx. 0.3 kg ● Accessory: Special block number label

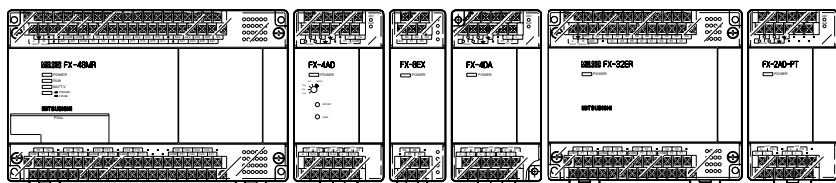
- |   |   |
|---|---|
| <ul style="list-style-type: none"> <li>① Extension cable</li> <li>② Power indicator lamp (LED)<br/>5V power is supplied from the programmable controller to light this indicator lamp.</li> <li>③ Power supply terminals<br/>(Screw terminal: M3.5(0.14))</li> <li>④ Analog output terminals<br/>(Screw terminals : M3.5 (0.14))</li> </ul> | <ul style="list-style-type: none"> <li>⑤ 24V power indicator lamp (LED)<br/>24V DC power is supplied to the terminals of the FX-4DA to light this indicator lamp.</li> <li>⑥ D-A conversion indicator lamp (LED)<br/>Flashes at a high speed if D-A conversion is performing without a problem.</li> <li>⑦ Hole for direct mounting (2-φ5.5) (0.22)</li> <li>⑧ Groove for DIN rail mounting<br/>(Width of DIN rail : 35 mm 1.38")</li> <li>⑨ Hook for DIN rail</li> </ul> |
|---|---|

**Handling of crimp-style terminal**

- Be sure to use the crimp-style terminals that satisfy the dimensional requirements shown in the left figure.
- Apply 0.5 to 0.8 N•m (5 to 8 kgf•cm) torque to tighten the terminals. Firmly tighten the terminals to prevent abnormal operation.

## CONNECTION TO PROGRAMMABLE CONTROLLER

Various special blocks controlled by the FROM/TO commands, such as the analog input blocks high-speed counter blocks, etc. can be connected to the FX or FX2C programmable controller (MPU), or connected to the right side of the other extension blocks or units. Up to eight special blocks can be connected to a single MPU in the numeric order of No. 0 to No. 7.



FX-48MR  
X000-X027  
Y000-Y027

FX-4AD  
Special block  
X030-  
X037

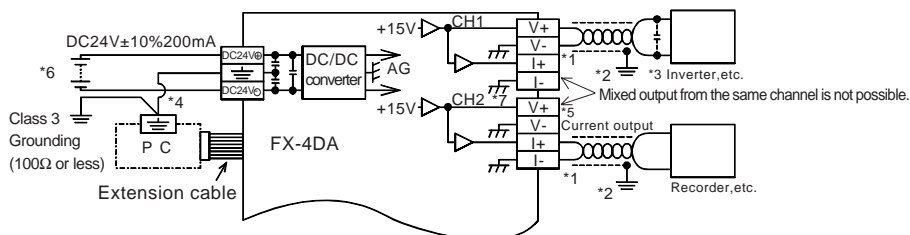
FX-8EX  
Special block  
X030-  
X037

FX-4DA  
Special block  
No.1

FX-32ER  
X040-X057  
Y030-Y047

FX-2AD-PT  
Special block  
No.2

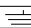

**WIRING:** The terminal layout shown below may differ from the actual layout. For the correct terminal layout, refer to section 2 External Dimensions and Parts.



\*1: Use a twisted pair shielded cable for the analog output. This cable should be wired away from power lines or any other lines which could induce noise.


\*2: Apply 1-point grounding at the load side of the output cable (class 3 grounding: 100Ω or less).

\*3: If electrical noise or a voltage ripple exists at the output, connect a smoothing capacitor of 0.1 to 0.47μF, 25V.

\*4: Connect the  terminal on the FX-4DA with the  terminal on the MPU of the programmable controller.

\*5: Shorting the voltage output terminal or connecting the current output load to the voltage output terminal may damage the FX-4DA.

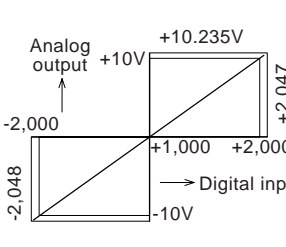
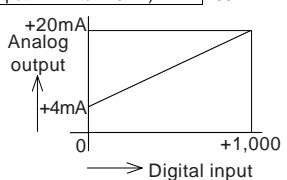
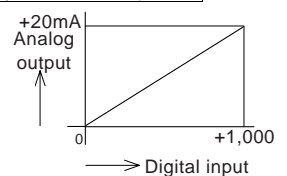
\*6: The 24V DC service power of the programmable controller can also be used.

\*7: Do not connect any unit to the unused terminal .

## ENVIRONMENT SPECIFICATIONS

The environment specifications are the same as those for the MPU of the programmable controller. Refer to the FX-series Hardware Manual.

## PERFORMANCE SPECIFICATIONS

Item	Voltage output		Current output	
Analog output range	-10VDC to +10V DC (External load resistance $\geq 2k$ to $1M\Omega$ )		DC 0mA to +20mA (External load resistance $\leq 500$ )	
Digital input	16 bits, binary, with sign (Effective bits for numeric value: 11 bits and sign bit (1 bit))			
Resolution	5mV ( $10V \times 1/2000$ )		20μA ( $20mA \times 1/1000$ )	
Total accuracy	$\pm 1\%$ (at full scale of +10V)		$\pm 1\%$ (at full scale of +20mA)	
Conversion speed	2.1ms for 4 channels (Change in the number of channels used will not change the conversion speed.)			
Isolation	Photo-coupler isolation between analog and digital circuits. DC/DC converter isolation of power from FX base unit. No isolation between analog channels.			
External power supply	DC 24V $\pm 10\%$ 200mA			
Number of occupied I/O points	8 points taken from the FX expansion bus (can be either inputs or outputs)			
Power consumption	5V, 30mA (Internal power supply from MPU or powered extension unit)			
I/O characteristics (Default: Mode0) Follow the procedure described in section 8 to change.	Mode 0 (Voltage output: -10V to +10V)	At load resistance of 10kΩ	Mode 1 (Current output: +4mA to +20mA)	At load resistance of 250Ω
				
			Mode 2 (Current output: 0mA to +20mA)	At load resistance of 250Ω
				
Commands sent from the programmable controller can change the mode. The voltage/current output mode selected will determine the output terminals used.				

Data is transmitted between the FX-4DA and the MPU via buffer memories (16-bit 32-point RAM).

BFM	Description
W	#0 E Output mode select. Factory setting H0000
	#1
	#2 Output data (Signed 16 bits binary; actual value 11 bits + sign)
	#3 #1: CH1, #2: CH2, #3: CH3, #4: CH4
	#4
#5 E Data holding mode. Factory setting H0000	
#6 #7	Reserved

Buffer memories marked "W" can be written to using the T0 instruction in the MPU.

The status of BFM #0, #5, and #21, (marked E) will be written to EEPROM, therefore the set values will be retained even after turning off the power.

- ① [BFM #0] Output mode select: The value of BFM #0 switches the analog output between voltage and current on each channel. It takes the form of a 4 digit hexadecimal number. The first digit will be the command for channel 1 (CH1), and the second digit for channel 2 (CH2) etc. The numeric values of these four digits respectively represent the following items:

H 0 0 0 0 ○ = 0: Sets the voltage output mode (-10 V to +10 V).  
 CH4 CH3 CH2 CH1 ○ = 1: Sets the current output mode (+4 mA to +20 mA).  
 ○ = 2: Sets the current output mode (0 mA to +20 mA).

Switching the output mode resets the I/O characteristics to the factory-set characteristics. Refer to the performance specifications described in section 4.

Example: H2110 CH1: Voltage output (-10 V to +10 V)

CH2 and CH3: Current output (+4 mA to +20 mA)

CH4: Current output (0 mA to +20 mA)

- ② [BFM #1, #2, #3 and #4]: Output data channels CH1, CH2, CH3, and CH4

BFM #1: Output data of CH1 (Initial value: 0) BFM #2: Output data of CH2 (Initial value: 0)

BFM #3: Output data of CH3 (Initial value: 0) BFM #4: Output data of CH4 (Initial value: 0)

- ③ [BFM #5]: Data holding mode: While the programmable controller is in the STOP mode, the last output value in the RUN mode will be held. To reset the value to the offset value, write the hexadecimal value in BFM #5 as follows:

H 0 0 0 0 ○ = 0: Holds the output.  
 CH4 CH3 CH2 CH1 ○ = 1: Resets to the offset value.

Example: H0011.....CH1 and CH2 = Offset value CH3 and CH4 = Output holding

In addition to the above functions, the buffer memories can adjust the I/O characteristics of the FX-4DA, and report the status of the FX-4DA to the programmable controller.

BFM	Description
W	#8(E) Offset/gain setting command CH1, CH2 Initial value H0000
	#9(E) Offset/gain setting command CH3, CH4 Initial value H0000
	#10 Offset data CH1 *1
	#11 Gain data CH1 *2
	#12 Offset data CH2 *1
	#13 Gain data CH2 *2
	#14 Offset data CH3 *1
	#15 Gain data CH3 *2
#16	Offset data CH4 *1
	Gain data CH4 *2
#18, #19	Reserved
W	#20(E) Initialize, initial value = 0
W	#21 E I/O characteristics adjustment inhibit (Initial value 1)
#22- #28	Reserved
#29	Error status
#30	K3020 identification code
#31	Reserved

Buffer memories marked "W" can be written to using the T0 instruction in the MPU.

The status of BFM #0, #5, and #21, (marked E) will be written to EEPROM, therefore the set values will be retained even after turning off the power.

\*1: Offset data: Actual analog output value when corresponding output data (BFM #1 through #4) is 0

\*2: Gain value: Actual analog output value when corresponding output data (BFM #1 through #4) is +1,000

\*3: When current output mode 1 (+4 mA to +20 mA) is set, the offset data will be automatically set to +4,000 and the gain data to +20,000. When the current output mode 2 (0 mA to +20 mA) is set, the offset data will be automatically set to 0 and the gain data to +20,000.

- ④ [BFM #8 and #9] Offset/gain setting command: Changes offset and gain values of channels CH1 through CH4 by writing 1 to the corresponding Hex digits of BFM #8 or #9. The current values will be valid until this command is output.

BFM #8                      BFM #9                      ○ = 0: No changes done.  
 H 0 0 0 0      H 0 0 0 0      ○ = 1: Change data value.  
 G2 O2 G1 O1      G4 O4 G3 O3      (Program example : see section 8.)

- ⑤ [BFM #10 through #17] Offset/gain data: The offset and gain values are changed by writing new data to BFM #10 through #17. The units of the data to be written is mV or  $\mu$ A. The data should be written and then BFM #8 and #9 set. Note that the data value will be rounded down to the nearest 5mV or 20 $\mu$ A.

#### Note

The offset and gain data values are reset to zero at power ON. However, using the offset/gain setting commands (BFM #8, #9) causes the values to be saved to EEPROM. It is not necessary to write the data a second time.

- ⑥ [BFM #20] Initialize: When K1 is written in BFM #20, all values will be initialized to the factory-settings. (Note that the BFM #20 data will override the BFM #21 data.) This initialize function is convenient if you have an error in adjustment.
- ⑦ [BFM #21] I/O characteristics adjustment inhibit: Setting BFM #21 to 2 inhibits the user from inadvertent adjustment of I/O characteristics. The adjustment inhibit function, once set, will be valid until the Permit command (BFM #21=1) is set. The initial value is 1 (Permit). The set value will be retained even after power-off.

⑧ [BFM #29] Error status: When an error occurs, use the FROM command to read out the details of the error.  
Error status

Bit	Name	Status when bit is set to "1" (turned on)	Status when bit is set to "0" (turned off)
b0	Error	Error if any of b1 through b4 is turned on	No error
b1	O/G error	Offset/gain data in EEPROM is abnormal or a data setting error occurs.	Offset/gain data normal
b2	Power supply error	24 VDC power failure	Power supplied normally
b3	Hardware error	Defective D-A converter or other hardware	Non-defective hardware
b10	Range error	The digital input or analog output value is out of the specified range.	The input or output value is in the specified range.
b12	G/O-Adjustment prohibit status	BFM #21 is not set to "1".	Adjustable status (BFM #21=1)

Bits b4 through b9, b11, b13 through b15 are not defined.

⑨ [BFM #30] The identification code for a special block is read using the FROM command. The identification code for the FX-4DA unit is K3020. The MPU can use this facility in the program to identify the special block before commencing any data transfer from and to the special block.

**Note : BFM #'s marked E(E).**

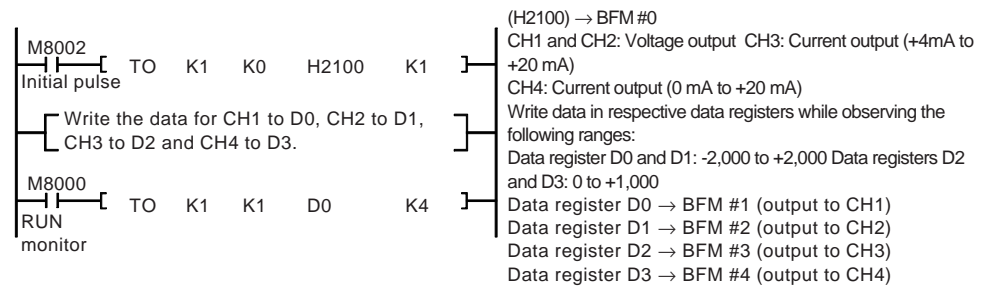
- Values of BFM #0, #5, and #21, (marked E) are stored in EEPROM memory of the FX-4DA. BFM #10 to #17 are copied to EEPROM when the gain/offset setting command BFM #8, #9 is used. Also, BFM #20 causes resetting of the EEPROM memory. The EEPROM has a life of about 10,000 cycles (changes), so do not use programs which frequently change these BFM's.
- A mode change of BFM#0 automatically involves a change of the corresponding offset and gain values. Because of the time needed to write the new values to the internal EEPROM memory, a delay of 3 s is required between instructions changing BFM#0 and instructions writing to the corresponding BFM#10 through BFM#17.

Therefore, a delay timer should be used before writing to BFM#10 through BFM#17.

## 6 OPERATION AND PROGRAM EXAMPLES

If the factory-set I/O characteristics are not changed and the status information is not used, you can operate the FX-4DA using the following simple program. For the FROM and TO commands, refer to the FX Programming Manual.

CH1 and CH2: Voltage output mode (-10 V to +10 V) CH3: Current output mode (+4 mA to +20 mA)  
CH4: Current output mode (0 mA to +20 mA)

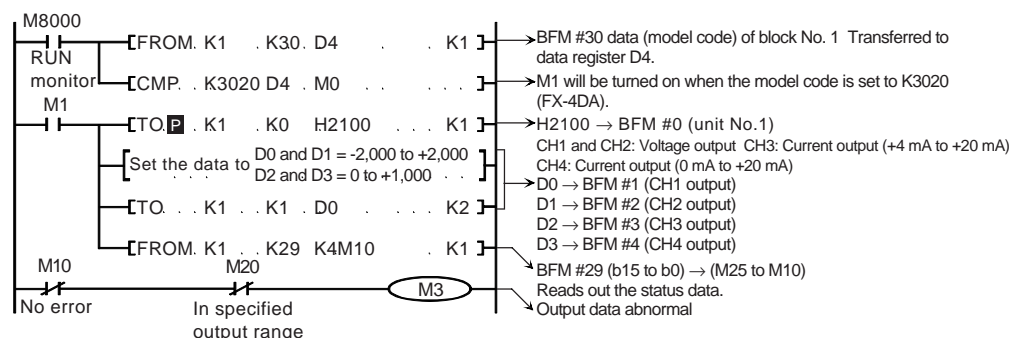


**Operation procedure**

- ① Turn off the power of the MPU, and then connect the FX-4DA. After that, wire the I/O lines of the FX-4DA.
- ② Set the MPU to STOP, and turn on the power. Write the above program then switch the MPU to RUN.
- ③ Analog values will be sent from D0 (BFM #1), D1 (BFM #2), D2 (BFM #3), and D3 (BFM #4) to the respective output channels of the FX-4DA. When the MPU is in STOP, the analog values set before stopping the MPU will remain output. (The output will be held.)
- ④ When the MPU is in STOP, the offset values can also be output. For a detailed description, refer to Section 5, ③.

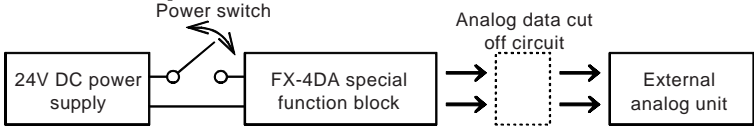
**Program example**

For the following program, CH1 and CH2 of the FX-4DA connected at special block position No. 1 are used as voltage output channels, CH3 as a current output channel (+4 mA to +20 mA), and CH4 as a current output channel (0 mA to +20 mA). When the MPU is in STOP, the output will be held. In addition, the status information is used.



- ① Check whether the output wiring and/or expansion cables are properly connected on FX-4DA analog special function block.
- ② Check that the FX system configuration rules have not been broken, i.e. the number of blocks does not exceed 8 and the total system I/O is equal or less than 256 I/O.
- ③ Ensure that the correct output mode has been selected for the application.
- ④ Check that there is no power overload on either the 5V or 24V power source, remember the loading on the FX MPU or a powered extension unit varies according to the number of extension blocks or special function blocks connected.
- ⑤ Put the main processing unit into RUN.
- ⑥ After turning on or off the 24V DC power for analog signals, the analog output may fluctuate for approximately 1 second. This is due to time delays in the power supply from the MPU or differences in start time. For this reason, be sure to take preventive measures so that this output fluctuation will not affect the external units.

#### [Example of preventive measure]

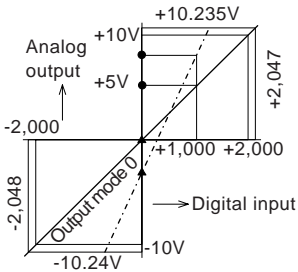


## 8 ADJUSTMENT OF I/O CHARACTERISTICS

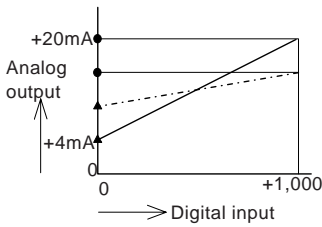
### I/O characteristics

The standard characteristics (factory default) are shown by the solid lines in the figure below. These characteristics can be adjusted according to the conditions of the user's system.

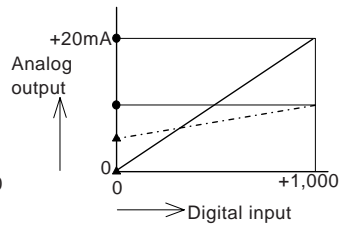
Standard characteristics of voltage output



Standard characteristics of current output (+4mA to +20mA)



Standard characteristics of current output (0mA to +20mA)



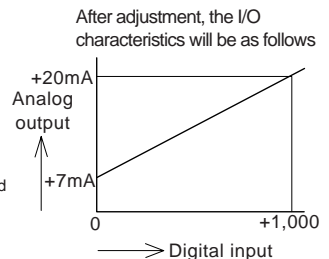
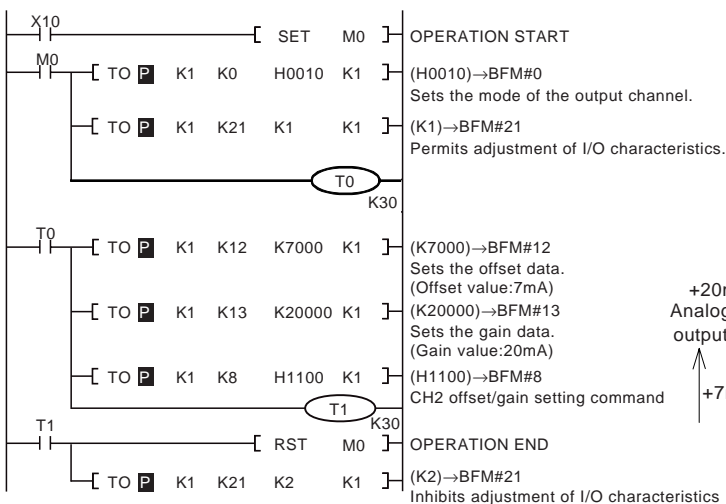
- .....Gain value: Analog output value when the digital input is +1,000
- ▲.....Offset value: Analog output value when the digital input is 0

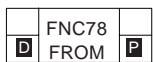
When the slope of the I/O characteristic line is steep: Slight changes to the digital input will greatly increase or reduce the analog output.  
 When the slope of the I/O characteristic line is gentle: Slight changes to the digital input will not always change the analog output.

Note that the resolution (minimum possible change of analog output) of the FX-4DA is fixed.

### Adjustment of I/O Characteristics

To adjust the I/O characteristics, set the offset and gain of the FX-4DA either using pushbutton switches connected to input terminals of the programmable controller or using the forced on/off function of a programming panel. To change the offset and gain, just change the conversion constants of the FX-4DA. Metering of the analog output is not needed for adjustment, however a program should be created in the MPU. An example program for adjustment is shown below. The example shows that for channel CH2 of FX-4DA block No. 1, the offset value is changed to 7 mA, and the gain value to 20 mA. Note that for CH1, CH3, and CH4, the standard voltage output characteristics are set.





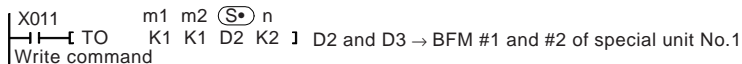
Read BFM

m1 : Special unit or block number (K0 to K7, numbered from the MPU)

m2 : Buffer memory head address (K0 to K31)

(D) : Head device number of destination data. T, C, D, KnM, KnY, KnS, V, and Z can be used to designate the head device. Each device number can be qualified using an index.

n : Number of transfer points (K1 to K32) (K1 to K16 for 32-bit command)



Write BFM

m1, m2, n : Same as above

(S) : Head device number of source data. T, C, D, KnX, KnM, KnY, KnS, V, Z, K, and H can be used to designate the head device. Each device number can be qualified using an index.

- When X010 and X011 are off, transfer will not be executed, therefore the destination data value will not be changed.

## 9 TROUBLESHOOTING

If the FX-4DA does not operate properly, check the following items

- ① Check the external wiring. Refer to section 3 of this manual.
- ② Check status of the POWER indicator lamp (LED) of the FX-4DA.  
 On: The extension cable is properly connected.  
 Off or flash: Check connection of extension cable. Also check the 5 V power supply capacity.
- ③ Check status of the 24 V power indicator lamp (LED) of the FX-4DA.  
 On: 24V DC is supplied.  
 Off: Supply 24V DC (+10%) to the FX-4DA.
- ④ Check the status of the D-A conversion indicator lamp (LED) of the FX-4DA.  
 Flash: D-A conversion is normal.  
 On or off: The ambient conditions are not suitable for the FX-4DA, or the FX-4DA is defective.
- ⑤ Check that the external load resistance connected to each analog output terminal does not exceed the capacity of the FX-4DA drive (voltage output: 2kΩ to 1 MΩ / current output: 500Ω ).
- ⑥ Check the output voltage or current value using a voltmeter or ammeter, and confirm that the output meets the I/O characteristics. If the output does not meet the I/O characteristics, adjust the offset and gain again. Refer to section 8.

### Note

To test the withstand voltage of the FX-4DA, connect all the terminals to the grounding terminal.

### Guidelines for the safety of the user and protection of the FX-4DA special function block

- This manual has been written to be used by trained and competent personnel. This is defined by the European directives for machinery, low voltage and EMC.
- If in doubt at any stage during the installation of the FX-4DA always consult a professional electrical engineer who is qualified and trained to the local and national standards. If in doubt about the operation or use of the FX-4DA please consult the nearest Mitsubishi Electric distributor.
- Under no circumstances will Mitsubishi Electric be liable or responsible for any consequential damage that may arise as a result of the installation or use of this equipment.
- All examples and diagrams shown in this manual are intended only as an aid to understanding the text, not to guarantee operation. Mitsubishi Electric will accept no responsibility for actual use of the product based on these illustrative examples.

Manual number : JY992D61001

Manual revision : B

Date : November 1996



MITSUBISHI ELECTRIC CORPORATION

HEAD OFFICE : MITSUBISHI DENKI BLDG MARUNOUCHI TOKYO 100 TELEX : J24532 CABLE MELCO TOKYO  
 HIMEJI WORKS : 840, CHIYODA CHO, HIMEJI, JAPAN





**FX-4DA**  
**SPECIAL FUNCTION BLOCK**

**USER'S GUIDE**

JY992D61001B

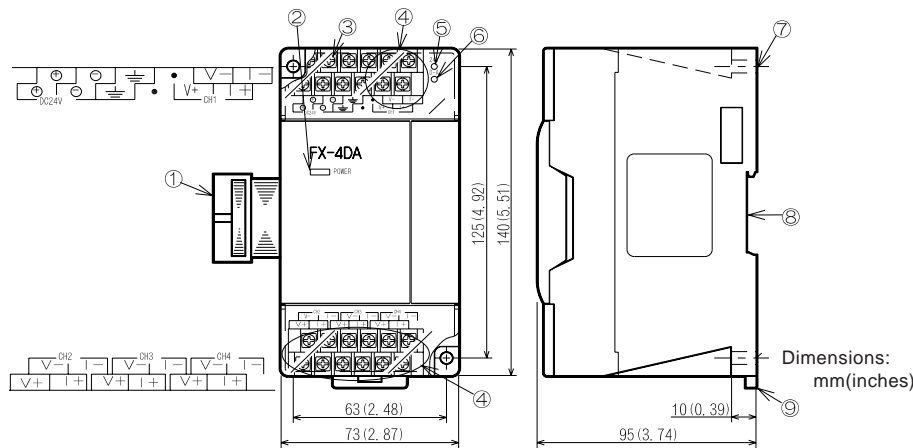
This manual contains text, diagrams and explanations which will guide the reader in the correct installation and operation of the FX-4DA special function block and should be read and understood before attempting to install or use the unit.

Further information can be found in the FX PROGRAMMING MANUAL and FX SERIES HARDWARE MANUAL.

**1 INTRODUCTION**

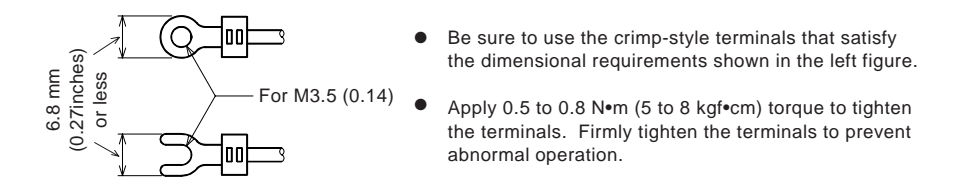
- The FX-4DA analog special function block has four output channels. The output channels take a digital value and output an equivalent analog signal. This is called a D/A conversion. The FX-4DA has a maximum resolution of 12 bits.
- The selection of voltage or current based input/output is by user wiring. Analog ranges of -10 to 10V (resolution: 5mV), and/or 0 to 20mA (resolution: 20μA) maybe selected independently for each channel.
- FX programmable controllers versions 2.0 or later (those with serial number 13XXXX or larger) are required; as these units have the TO/FROM applied instructions in their instruction set. Data transfer between the FX-4DA and the FX base unit is by buffer memory exchange. There are 32 buffer memories (each of 16 bits) in the FX-4DA.
- The FX-4DA occupies 8 points of I/O on the FX, FX2c expansion bus. The 8 points can be allocated from either inputs or outputs. The FX-4DA draws 30mA from the 5V rail of the base unit or powered extension unit.

**2 EXTERNAL DIMENSIONS AND PARTS**



- Weight: Approx. 0.3 kg ● Accessory: Special block number label
- ① Extension cable
- ② Power indicator lamp (LED)  
5V power is supplied from the programmable controller to light this indicator lamp.
- ③ Power supply terminals  
(Screw terminal: M3.5(0.14))
- ④ Analog output terminals  
(Screw terminals : M3.5 (0.14))
- ⑤ 24V power indicator lamp (LED)  
24V DC power is supplied to the terminals of the FX-4DA to light this indicator lamp.
- ⑥ D-A conversion indicator lamp (LED)  
Flashes at a high speed if D-A conversion is performing without a problem.
- ⑦ Hole for direct mounting (2-φ5.5) (0.22)
- ⑧ Groove for DIN rail mounting  
(Width of DIN rail : 35 mm 1.38")
- ⑨ Hook for DIN rail

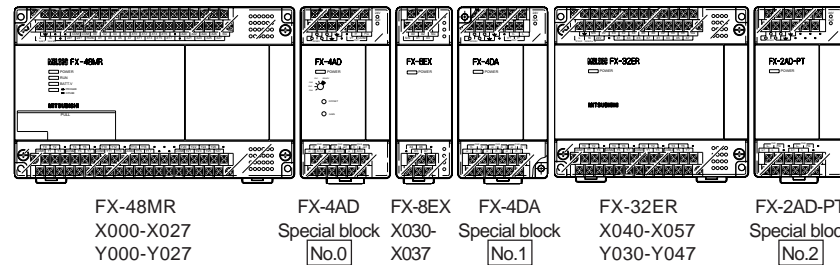
**Handling of crimp-style terminal**



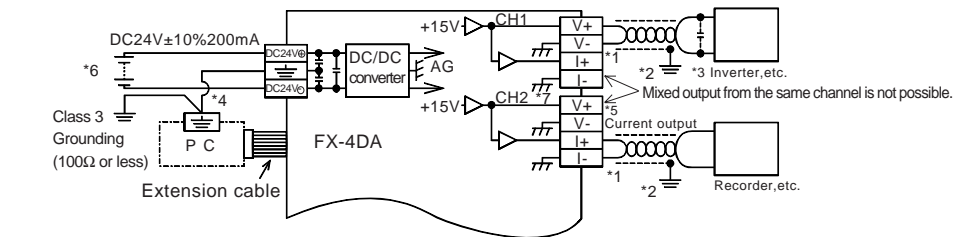
**3 INSTALLATION AND WIRING**

**CONNECTION TO PROGRAMMABLE CONTROLLER**

Various special blocks controlled by the FROM/TO commands, such as the analog input blocks high-speed counter blocks, etc. can be connected to the FX or FX2C programmable controller (MPU), or connected to the right side of the other extension blocks or units. Up to eight special blocks can be connected to a single MPU in the numeric order of No. 0 to No. 7.



**WIRING:** The terminal layout shown below may differ from the actual layout. For the correct terminal layout, refer to section 2 External Dimensions and Parts.



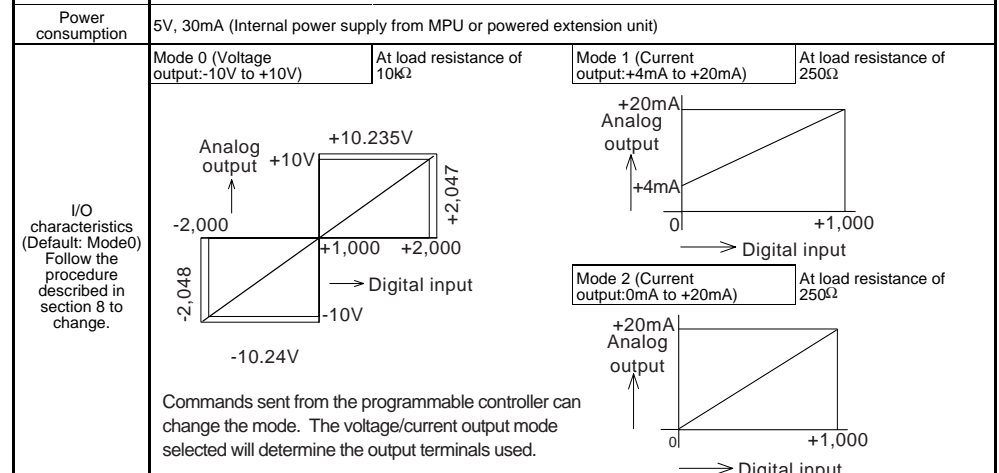
- \*1: Use a twisted pair shielded cable for the analog output. This cable should be wired away from power lines or any other lines which could induce noise.
- \*2: Apply 1-point grounding at the load side of the output cable (class 3 grounding: 100Ω or less).
- \*3: If electrical noise or a voltage ripple exists at the output, connect a smoothing capacitor of 0.1 to 0.47μF, 25V.
- \*4: Connect the terminal on the FX-4DA with the terminal on the MPU of the programmable controller.
- \*5: Shorting the voltage output terminal or connecting the current output load to the voltage output terminal may damage the FX-4DA.
- \*6: The 24V DC service power of the programmable controller can also be used.
- \*7: Do not connect any unit to the unused terminal.

**4 Specifications**

**ENVIRONMENT SPECIFICATIONS**  
The environment specifications are the same as those for the MPU of the programmable controller. Refer to the FX-series Hardware Manual.

**PERFORMANCE SPECIFICATIONS**

Item	Voltage output	Current output
Analog output range	-10VDC to +10V DC (External load resistance ≥ 2k to 1MΩ)	DC 0mA to +20mA (External load resistance ≤ 500 )
Digital input	16 bits, binary, with sign (Effective bits for numeric value: 11 bits and sign bit (1 bit))	
Resolution	5mV (10V: 1/2000)	20μA (20mA : 1/1000)
Total accuracy	±1% (at full scale of +10V)	±1% (at full scale of +20mA)
Conversion speed	2.1ms for 4 channels (Change in the number of channels used will not change the conversion speed.)	
Isolation	Photo-coupler isolation between analog and digital circuits. DC/DC converter isolation of power from FX base unit. No isolation between analog channels.	
External power supply	DC 24V± 10% 200mA	
Number of occupied I/O points	8 points taken from the FX expansion bus (can be either inputs or outputs)	
Power consumption	5V, 30mA (Internal power supply from MPU or powered extension unit)	



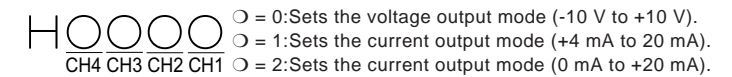
**5 ALLOCATION OF BUFFER MEMORIES (BFM)**

Data is transmitted between the FX-4DA and the MPU via buffer memories (16-bit 32-point RAM).

BFM	Description
#0 E	Output mode select. Factory setting H0000
#1	Output data (Signed 16 bits binary; actual value 11 bits + sign) #1: CH1, #2: CH2, #3: CH3, #4: CH4
#2	
#3	
#4	
#5 E	Data holding mode. Factory setting H0000
#6 #7	Reserved

Buffer memories marked "W" can be written to using the TO instruction in the MPU.  
The status of BFM #0, #5, and #21, (marked E) will be written to EEPROM, therefore the set values will be retained even after turning off the power.

① [BFM #0] Output mode select: The value of BFM #0 switches the analog output between voltage and current on each channel. It takes the form of a 4 digit hexadecimal number. The first digit will be the command for channel 1 (CH1), and the second digit for channel 2 (CH2) etc. The numeric values of these four digits respectively represent the following items:

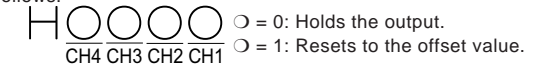


Switching the output mode resets the I/O characteristics to the factory-set characteristics. Refer to the performance specifications described in section 4.

Example: H2110 CH1: Voltage output (-10 V to +10 V)  
CH2 and CH3: Current output (+4 mA to +20 mA)  
CH4: Current output (0 mA to +20 mA)

② [BFM #1, #2, #3 and #4]: Output data channels CH1, CH2, CH3, and CH4  
BFM #1: Output data of CH1 (Initial value: 0) BFM #2: Output data of CH2 (Initial value: 0)  
BFM #3: Output data of CH3 (Initial value: 0) BFM #4: Output data of CH4 (Initial value: 0)

③ [BFM #5]: Data holding mode: While the programmable controller is in the STOP mode, the last output value in the RUN mode will be held. To reset the value to the offset value, write the hexadecimal value in BFM #5 as follows:



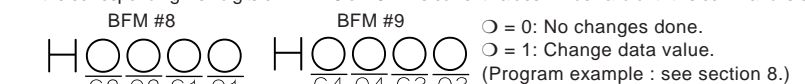
Example: H0011.....CH1 and CH2 = Offset value CH3 and CH4 = Output holding

In addition to the above functions, the buffer memories can adjust the I/O characteristics of the FX-4DA, and report the status of the FX-4DA to the programmable controller.

BFM	Description
#8(E)	Offset/gain setting command CH1, CH2 Initial value H0000
#9(E)	Offset/gain setting command CH3, CH4 Initial value H0000
#10	Offset data CH1 *1
#11	Gain data CH1 *2
#12	Offset data CH2 *1
#13	Gain data CH2 *2
#14	Offset data CH3 *1
#15	Gain data CH3 *2
#16	Offset data CH4 *1
#17	Gain data CH4 *2
#18, #19	Reserved
#20(E)	Initialize, initial value = 0
#21 E	I/O characteristics adjustment inhibit (Initial value 1)
#22- #28	Reserved
#29	Error status
#30	K3020 identification code
#31	Reserved

Buffer memories marked "W" can be written to using the TO instruction in the MPU.  
The status of BFM #0, #5, and #21, (marked E) will be written to EEPROM, therefore the set values will be retained even after turning off the power.  
\*1: Offset data: Actual analog output value when corresponding output data (BFM #1 through #4) is 0  
\*2: Gain value: Actual analog output value when corresponding output data (BFM #1 through #4) is +1,000  
\*3: When current output mode 1 (+4 mA to +20 mA) is set, the offset data will be automatically set to +4,000 and the gain data to +20,000. When the current output mode 2 (0 mA to +20 mA) is set, the offset data will be automatically set to 0 and the gain data to +20,000.

④ [BFM #8 and #9] Offset/gain setting command: Changes offset and gain values of channels CH1 through CH4 by writing 1 to the corresponding Hex digits of BFM #8 or #9. The current values will be valid until this command is output.



⑤ [BFM #10 through #17] Offset/gain data: The offset and gain values are changed by writing new data to BFM #10 through #17. The units of the data to be written is mV or μA. The data should be written and then BFM #8 and #9 set. Note that the data value will be rounded down to the nearest 5mV or 20μA.

**Note**

The offset and gain data values are reset to zero at power ON. However, using the offset/gain setting commands (BFM #8, #9) causes the values to be saved to EEPROM. It is not necessary to write the data a second time.

⑥ [BFM #20] Initialize: When K1 is written in BFM #20, all values will be initialized to the factory-settings. (Note that the BFM #20 data will override the BFM #21 data.) This initialize function is convenient if you have an error in adjustment.

⑦ [BFM #21] I/O characteristics adjustment inhibit: Setting BFM #21 to 2 inhibits the user from inadvertent adjustment of I/O characteristics. The adjustment inhibit function, once set, will be valid until the Permit command (BFM #21=1) is set. The initial value is 1 (Permit). The set value will be retained even after power-off.

⑥ [BFM #29] Error status: When an error occurs, use the FROM command to read out the details of the error.  
Error status

Bit	Name	Status when bit is set to "1" (turned on)	Status when bit is set to "0" (turned off)
b0	Error	Error if any of b1 through b4 is turned on	No error
b1	O/G error	Offset/gain data in EEPROM is abnormal or a data setting error occurs.	Offset/gain data normal
b2	Power supply error	24 VDC power failure	Power supplied normally
b3	Hardware error	Defective D-A converter or other hardware	Non-defective hardware
b10	Range error	The digital input or analog output value is out of the specified range.	The input or output value is in the specified range.
b12	G/O-Adjustment prohibit status	BFM #21 is not set to "1".	Adjustable status (BFM #21=1)

Bits b4 through b9, b11, b13 through b15 are not defined.

⑦ [BFM #30] The identification code for a special block is read using the FROM command. The identification code for the FX-4DA unit is K3020. The MPU can use this facility in the program to identify the special block before commencing any data transfer from and to the special block.

**Note : BFM #'s marked E/(E).**

● Values of BFM #0, #5, and #21, (marked E) are stored in EEPROM memory of the FX-4DA. BFM #10 to #17 are copied to EEPROM when the gain/offset setting command BFM #8, #9 is used. Also, BFM #20 causes resetting of the EEPROM memory. The EEPROM has a life of about 10,000 cycles (changes), so do not use programs which frequently change these BFM's.

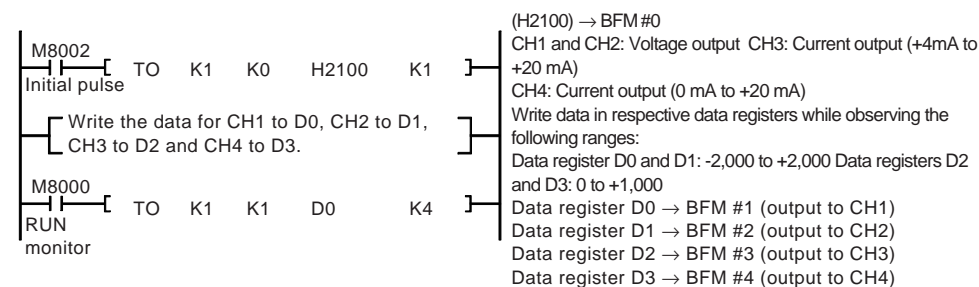
● A mode change of BFM#0 automatically involves a change of the corresponding offset and gain values. Because of the time needed to write the new values to the internal EEPROM memory, a delay of 3 s is required between instructions changing BFM#0 and instructions writing to the corresponding BFM#10 through BFM#17.

Therefore, a delay timer should be used before writing to BFM#10 through BFM#17.

## 6 OPERATION AND PROGRAM EXAMPLES

If the factory-set I/O characteristics are not changed and the status information is not used, you can operate the FX-4DA using the following simple program. For the FROM and TO commands, refer to the FX Programming Manual.

CH1 and CH2: Voltage output mode (-10 V to +10 V) CH3: Current output mode (+4 mA to +20 mA)  
CH4: Current output mode (0 mA to +20 mA)

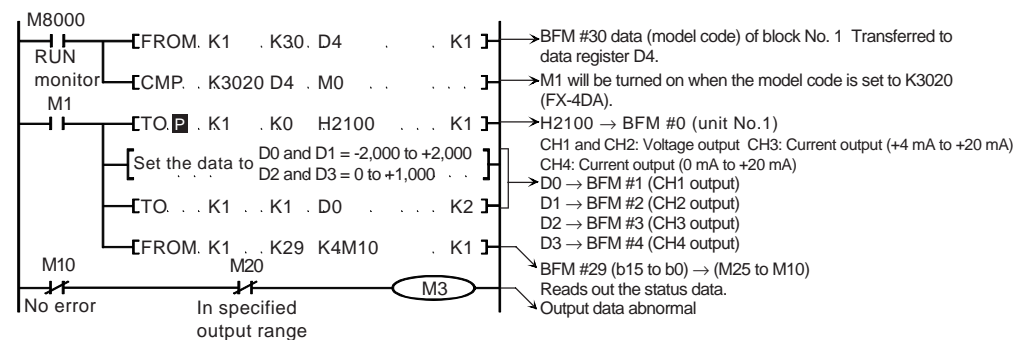


### Operation procedure

- Turn off the power of the MPU, and then connect the FX-4DA. After that, wire the I/O lines of the FX-4DA.
- Set the MPU to STOP, and turn on the power. Write the above program then switch the MPU to RUN.
- Analog values will be sent from D0 (BFM #1), D1 (BFM #2), D2 (BFM #3), and D3 (BFM #4) to the respective output channels of the FX-4DA. When the MPU is in STOP, the analog values set before stopping the MPU will remain output. (The output will be held.)
- When the MPU is in STOP, the offset values can also be output. For a detailed description, refer to Section 5, ③.

### Program example

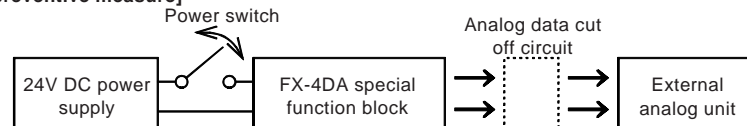
For the following program, CH1 and CH2 of the FX-4DA connected at special block position No. 1 are used as voltage output channels, CH3 as a current output channel (+4 mA to +20 mA), and CH4 as a current output channel (0 mA to +20 mA). When the MPU is in STOP, the output will be held. In addition, the status information is used.



## 7 CAUTION REGARDING OPERATION

- Check whether the output wiring and/or expansion cables are properly connected on FX-4DA analog special function block.
- Check that the FX system configuration rules have not been broken, i.e. the number of blocks does not exceed 8 and the total system I/O is equal or less than 256 I/O.
- Ensure that the correct output mode has been selected for the application.
- Check that there is no power overload on either the 5V or 24V power source, remember the loading on the FX MPU or a powered extension unit varies according to the number of extension blocks or special function blocks connected.
- Put the main processing unit into RUN.
- After turning on or off the 24V DC power for analog signals, the analog output may fluctuate for approximately 1 second. This is due to time delays in the power supply from the MPU or differences in start time. For this reason, be sure to take preventive measures so that this output fluctuation will not affect the external units.

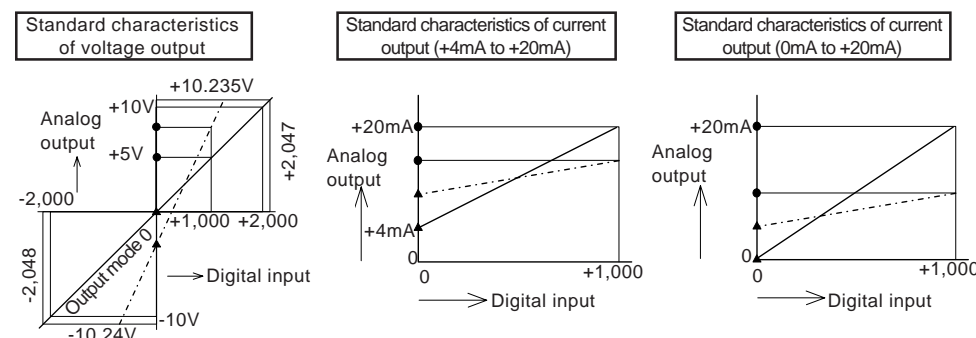
### [Example of preventive measure]



## 8 ADJUSTMENT OF I/O CHARACTERISTICS

### I/O characteristics

The standard characteristics (factory default) are shown by the solid lines in the figure below. These characteristics can be adjusted according to the conditions of the user's system.



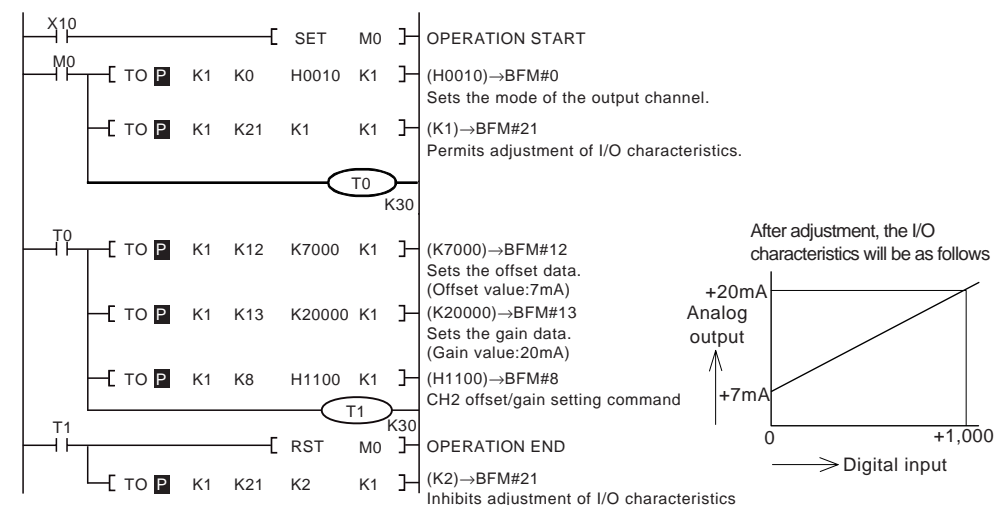
- Gain value: Analog output value when the digital input is +1,000
- ▲ Offset value: Analog output value when the digital input is 0

( When the slope of the I/O characteristic line is steep: Slight changes to the digital input will greatly increase or reduce the analog output.  
When the slope of the I/O characteristic line is gentle: Slight changes to the digital input will not always change the analog output.

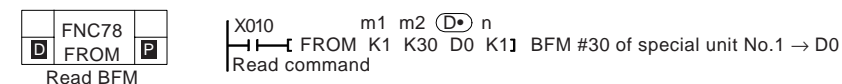
Note that the resolution (minimum possible change of analog output) of the FX-4DA is fixed.

### Adjustment of I/O Characteristics

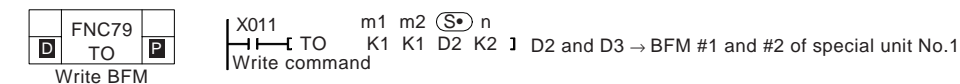
To adjust the I/O characteristics, set the offset and gain of the FX-4DA either using pushbutton switches connected to input terminals of the programmable controller or using the forced on/off function of a programming panel. To change the offset and gain, just change the conversion constants of the FX-4DA. Metering of the analog output is not needed for adjustment, however a program should be created in the MPU. An example program for adjustment is shown below. The example shows that for channel CH2 of FX-4DA block No. 1, the offset value is changed to 7 mA, and the gain value to 20 mA. Note that for CH1, CH3, and CH4, the standard voltage output characteristics are set.



Outline of FROM and TO commands: For a detailed description, refer to the FX Programming Manual.



m1 : Special unit or block number (K0 to K7, numbered from the MPU)  
m2 : Buffer memory head address (K0 to K31)  
(D) : Head device number of destination data. T, C, D, KnM, KnY, KnS, V, and Z can be used to designate the head device. Each device number can be qualified using an index.  
n : Number of transfer points (K1 to K32) (K1 to K16 for 32-bit command)



m1, m2, n : Same as above  
(S) : Head device number of source data. T, C, D, KnX, KnM, KnY, KnS, V, Z, K, and H can be used to designate the head device. Each device number can be qualified using an index.

- When X010 and X011 are off, transfer will not be executed, therefore the destination data value will not be changed.

## 9 TROUBLESHOOTING

If the FX-4DA does not operate properly, check the following items

- Check the external wiring. Refer to section 3 of this manual.
- Check status of the POWER indicator lamp (LED) of the FX-4DA.  
On: The extension cable is properly connected.  
Off or flash: Check connection of extension cable. Also check the 5 V power supply capacity.
- Check status of the 24 V power indicator lamp (LED) of the FX-4DA.  
On: 24V DC is supplied.  
Off: Supply 24V DC (+10%) to the FX-4DA.
- Check the status of the D-A conversion indicator lamp (LED) of the FX-4DA.  
Flash: D-A conversion is normal.  
On or off: The ambient conditions are not suitable for the FX-4DA, or the FX-4DA is defective.
- Check that the external load resistance connected to each analog output terminal does not exceed the capacity of the FX-4DA drive (voltage output: 2kΩ to 1 MΩ / current output: 500Ω).
- Check the output voltage or current value using a voltmeter or ammeter, and confirm that the output meets the I/O characteristics. If the output does not meet the I/O characteristics, adjust the offset and gain again. Refer to section 8.

### Note

To test the withstand voltage of the FX-4DA, connect all the terminals to the grounding terminal.

### Guidelines for the safety of the user and protection of the FX-4DA special function block

- This manual has been written to be used by trained and competent personnel. This is defined by the European directives for machinery, low voltage and EMC.
- If in doubt at any stage during the installation of the FX-4DA always consult a professional electrical engineer who is qualified and trained to the local and national standards. If in doubt about the operation or use of the FX-4DA please consult the nearest Mitsubishi Electric distributor.
- Under no circumstances will Mitsubishi Electric be liable or responsible for any consequential damage that may arise as a result of the installation or use of this equipment.
- All examples and diagrams shown in this manual are intended only as an aid to understanding the text, not to guarantee operation. Mitsubishi Electric will accept no responsibility for actual use of the product based on these illustrative examples.

Manual number : JY992D61001

Manual revision : B

Date : November 1996

**MITSUBISHI ELECTRIC CORPORATION**

HEAD OFFICE : MITSUBISHI DENKI BLDG MARUNOUCHI TOKYO 100 TELEX : J24532 CABLE MELCO TOKYO  
HIMEJI WORKS : 840, CHIYODA CHO, HIMEJI, JAPAN

JY992D61001B

Effective NOV. 1996  
Specifications are subject to change without notice.