

MELSEC A Series

Programmable Logic Controller

User's Manual
(Hardware)

A1S68AD Analog-Digital Conversion Module

● SAFETY PRECAUTIONS ●

(Always read before starting use)

When using Mitsubishi equipment, thoroughly read this manual and the associated manuals introduced in the manual. Also pay careful attention to safety and handle the module properly.

The instructions given this manual are concerned with this product. Refer to the User's Manual of the CPU module in use for details on the safety instructions for the programmable logic controller system.

These ● SAFETY PRECAUTIONS ● classify the safety precautions into two categories: "DANGER" and "CAUTION".




DANGER

Procedures which may lead to a dangerous condition and cause death or serious injury if not carried out properly.



CAUTION

Procedures which may lead to a dangerous condition and cause superficial to medium injury, or physical damage only, if not carried out properly.

Depending on circumstances, procedures indicated by  **CAUTION** may also be linked to serious results.

In any case, it is important to follow the directions for usage.

Store this manual in a safe place so that you can take it out and read it whenever necessary. Always forward it to the end user.

[DESIGN PRECAUTIONS]

CAUTION

- Do not bundle the control wire and the communication cable with the main circuit or power line or keep them close to one another.
Keep the control wire and the connection cable at least 100mm (3.94inch) away from the main circuit or power line: otherwise, noise or malfunctions will occur.

[INSTALLATION PRECAUTIONS]

CAUTION

- Use the PLC in the environment specified in the General Specifications section in detailed manual.
Using it an environment which does not meet the general specifications could cause electric shock, fire or malfunctions, and damage or deterioration of the module.
- Insert the tabs at the bottom of the module into the holes in the base module before installing module. Be sure to install the module in the base module with screws tightened to the specified torque.
Improper installation may cause erroneous operation, accident, or the module to fall out.

[WIRING PRECAUTIONS]

CAUTION

- Before connecting wires to the PLC, check the rated voltage and the terminal arrangement.
Connecting power of a different voltage or wiring incorrectly will result in fire or failure.
- Tighten the terminal screws within the specified torque range.
Undertightening can cause a short circuit or malfunction.
Overtightening can cause a short circuit or malfunction due to damage of the screws or module.
- Take all possible measures to prevent chips or wire scraps from entering the module.
Entry of foreign material will cause fire, failure of malfunctions.

[STARTING AND MAINTENANCE PRECAUTIONS]

DANGER

- Do not touch the terminals while they are live.
This will cause malfunctions.
- Start cleaning or terminal screw retightening after switching power off externally in all phases.
Not doing so can cause failure or malfunction of the module.

CAUTION

- Do not disassemble or tamper with the module.
This will cause failure, malfunctions, injuries or fire.
- Mount or dismount the module after switching power off externally in all phases.
Not doing so can cause failure or malfunction of the module.
- If a voltage is input when a current input range is selected, failure may occur.
- Always make sure to touch the grounded metal to discharge the electricity charged in the body, etc., before touching the module.
Failure to do so may cause a failure or malfunction of the module.

[DISPOSAL PRECAUTIONS]

CAUTION

- When disposing of the product, treat it as industrial waste.

About the Manuals

The following product are available for this equipment.
Refer to the table given below to choose suitable manuals.

Detailed Manual

| Manual name | Manual No. (Model code) |
|--|----------------------------|
| Analog-Digital Converter Module type A1S68AD User's Manual | IB-66576 |

1. General Description

This manual describes the specification and nomenclature of A1S68AD type analog-digital conversion module (hereafter called the “A1S68AD”), which is be used in combination with MELSEC-A series programmable controller CPU module (hereafter called the “PLC CPU”).

2. Performance Specifications

The following table shows the performance specifications of the A1S68AD.

| Item | Specification | |
|--|---|--|
| Analog input | Voltage:-10 to 0 to 10 VDC (input resistance : 1MΩ) Current:0 to +20mA (input resistance : 250Ω) | Can be selected by setting DIP switches. |
| Digital output | 16-bit signed binary | |
| I/O characteristics *1 | Analog input value | Digital output value |
| | 0 to +10V -10 to 10V 0 to 5V or 0 to 20mA 1 to 5V or 4 to 20mA | 0 to +4000 -2000 to +2000 0 to +4000 0 to +4000 |
| Maximum resolution | Analog input value | Digital output value |
| | 0 to +10V -10 to 10V 0 to 5V 1 to 5V 0 to 20mA 4 to 20mA | 2.5mA 5mA 1.25mA 1mA 5μA 4μA |
| Overall accuracy (accuracy to full scale) | Within ±1% (Digital output value ±40) | |
| Maximum conversion time | 0.5ms/channel (*2) | |
| Absolute maximum input | Voltage:±35V Current:+30mA | |
| Number of analog input points | 8 channels/module | |
| Insulation method | Between input terminal and PLC power supply: Photocoupler insulation (Between channels: Not insulated) | |
| Number of occupied I/O points | Special, 32 points | |
| Connection terminal | 20-terminal block | |
| External power supply | Unnecessary | |
| Applicable wire size | 0.75 to 1.5mm ² | |
| Applicable solderless terminal | R1.25-3, 1.25-YS3, RAV1.25-3, V1.25-YS3A | |
| Internal current consumption (5VDC) | 0.4A | |
| Weight | 0.32 kg | |

*1: The switch is set to an analog input value of 0 to +10V on delivery.

*2: The maximum conversion speed is 1ms/channel on all channels if averaging processing is set even for only one channel.

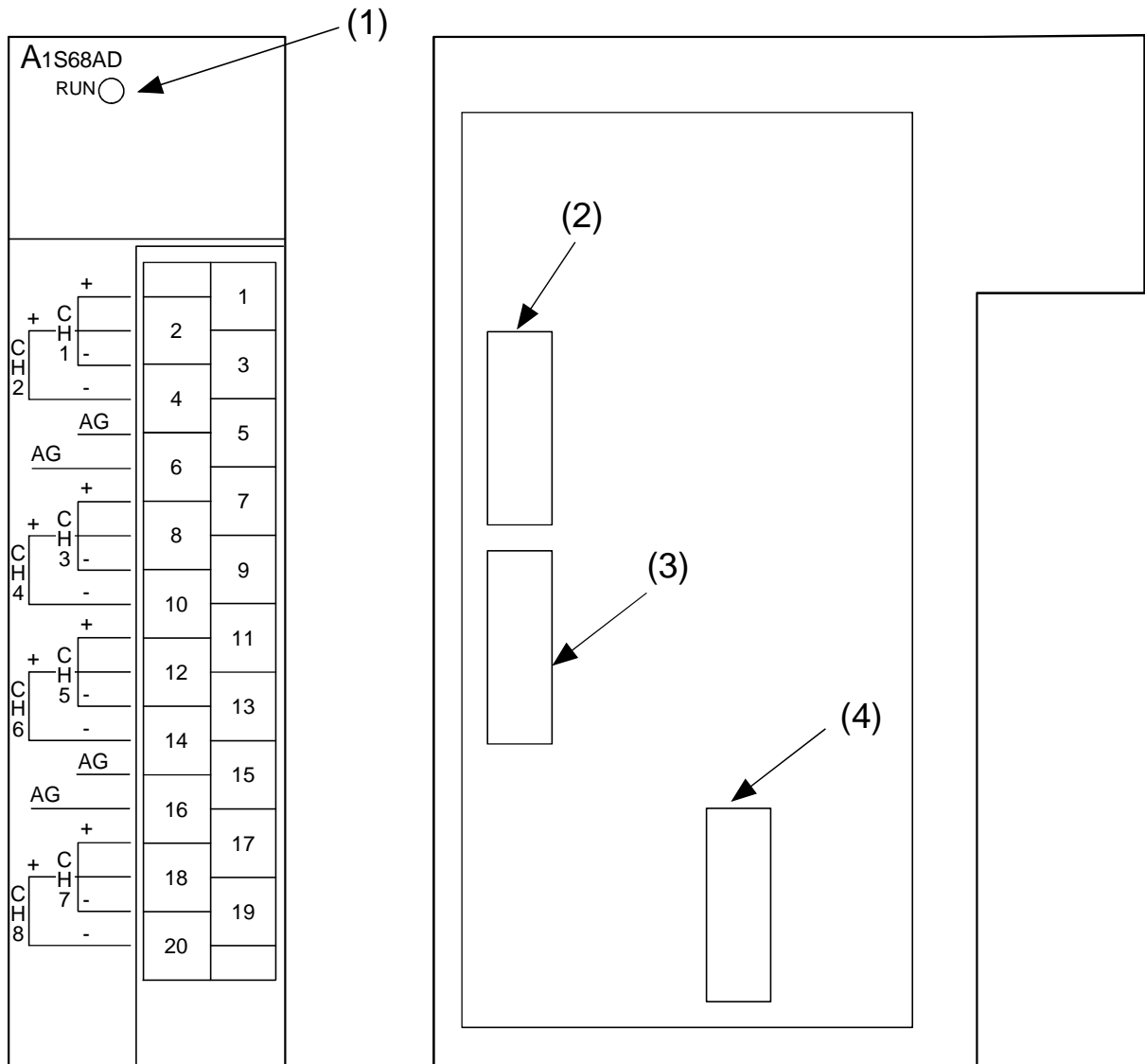
POINT


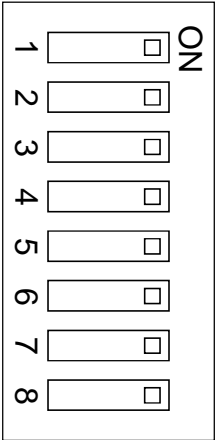
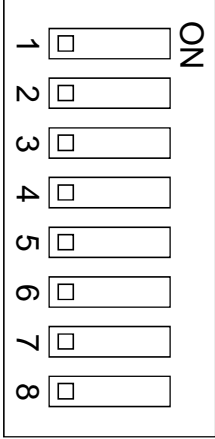
The overall accuracy is applicable to the following analog input ranges:
Voltage: -10 to 0 to +10V
Current: 0 to +20mA

For the general specifications, refer to the detailed manual.

3. Nomenclature and Settings

3.1 Nomenclature



| No | Name and appearance | Description | | | | | | | | | | | | | | | | | | | | | | | | | | |
|------------------|---|--|-------------|-------|-------|-------|------------|-----|-----|-----|----------|----|---------|-----|----|---------|----|-----------|-----|----|----|-----------|----|------------------|-----|-----|------------------|----|
| 1) | "RUN" LED | Displays the operating status of the A1S68AD. On :Normal operation. Flash :Write disabled error or average time/count setting error. Off :5 V power cut or watchdog timer error. | | | | | | | | | | | | | | | | | | | | | | | | | | |
| | RUN  | | | | | | | | | | | | | | | | | | | | | | | | | | | |
| 2) | Input range selector switch SW1 | Used to set the input range of each channel. (Factory default: 0 to 10V) The DIP switch numbers 1-8 correspond to the channel numbers. | | | | | | | | | | | | | | | | | | | | | | | | | | |
| |  | | | | | | | | | | | | | | | | | | | | | | | | | | | |
| 3) | Input range selector switch SW2 | Setting of CH1 <table border="1" data-bbox="566 981 1500 1361"> <thead> <tr> <th>Input Range</th> <th>SW1-1</th> <th>SW2-1</th> <th>SW3-1</th> </tr> </thead> <tbody> <tr> <td>-10 to 10V</td> <td>OFF</td> <td rowspan="2">OFF</td> <td rowspan="4">OFF</td> </tr> <tr> <td>0 to 10V</td> <td>ON</td> </tr> <tr> <td>0 to 5V</td> <td>OFF</td> <td rowspan="2">ON</td> </tr> <tr> <td>1 to 5V</td> <td>ON</td> </tr> <tr> <td>0 to 20mA</td> <td>OFF</td> <td rowspan="2">ON</td> <td rowspan="3">ON</td> </tr> <tr> <td>4 to 20mA</td> <td>ON</td> </tr> <tr> <td>Setting disabled</td> <td>OFF</td> <td rowspan="2">OFF</td> </tr> <tr> <td>Setting disabled</td> <td>ON</td> </tr> </tbody> </table> Set CH2-CH8 in the same manner. | Input Range | SW1-1 | SW2-1 | SW3-1 | -10 to 10V | OFF | OFF | OFF | 0 to 10V | ON | 0 to 5V | OFF | ON | 1 to 5V | ON | 0 to 20mA | OFF | ON | ON | 4 to 20mA | ON | Setting disabled | OFF | OFF | Setting disabled | ON |
| | Input Range | | SW1-1 | SW2-1 | SW3-1 | | | | | | | | | | | | | | | | | | | | | | | |
| -10 to 10V | OFF | OFF | OFF | | | | | | | | | | | | | | | | | | | | | | | | | |
| 0 to 10V | ON | | | | | | | | | | | | | | | | | | | | | | | | | | | |
| 0 to 5V | OFF | ON | | | | | | | | | | | | | | | | | | | | | | | | | | |
| 1 to 5V | ON | | | | | | | | | | | | | | | | | | | | | | | | | | | |
| 0 to 20mA | OFF | ON | ON | | | | | | | | | | | | | | | | | | | | | | | | | |
| 4 to 20mA | ON | | | | | | | | | | | | | | | | | | | | | | | | | | | |
| Setting disabled | OFF | OFF | | | | | | | | | | | | | | | | | | | | | | | | | | |
| Setting disabled | ON | | | | | | | | | | | | | | | | | | | | | | | | | | | |
| 4) | Input range selector switch SW3 |  | | | | | | | | | | | | | | | | | | | | | | | | | | |
| | | | | | | | | | | | | | | | | | | | | | | | | | | | | |

Caution: If voltage input appears when a current input range is selected, a failure may occur.

4. Handling

4.1 Caution on handling

- (1) The module case and the terminal block are made of resin.
Do not drop the module or subject it to shock.
- (2) Do not remove the printed circuit board from the module case.
This could cause failure.
- (3) During wiring, take all possible measures to prevent wire scraps or foreign matter from entering the module.
If anything enters the module, remove it completely.
- (4) Tighten the module mounting screws and the terminal screws to the torques specified in the following table:

| Screw | Tightening torque range (N • cm) |
|--|----------------------------------|
| Module installation screw (M4 screw) | 78 to 118 |
| Terminal block terminal screw (M3.5 screw) | 59 to 88 |
| Terminal block mounting screw (M4 screw) | 78 to 118 |

5. Wiring

This section gives the cautions on wiring and connection example for the module.

5.1 Cautions on Wiring

To establish a highly reliable system by making the best use of the A1S68AD functions, external wiring that is not susceptible to the effects of noise is required.

The cautions on external wiring are presented below:

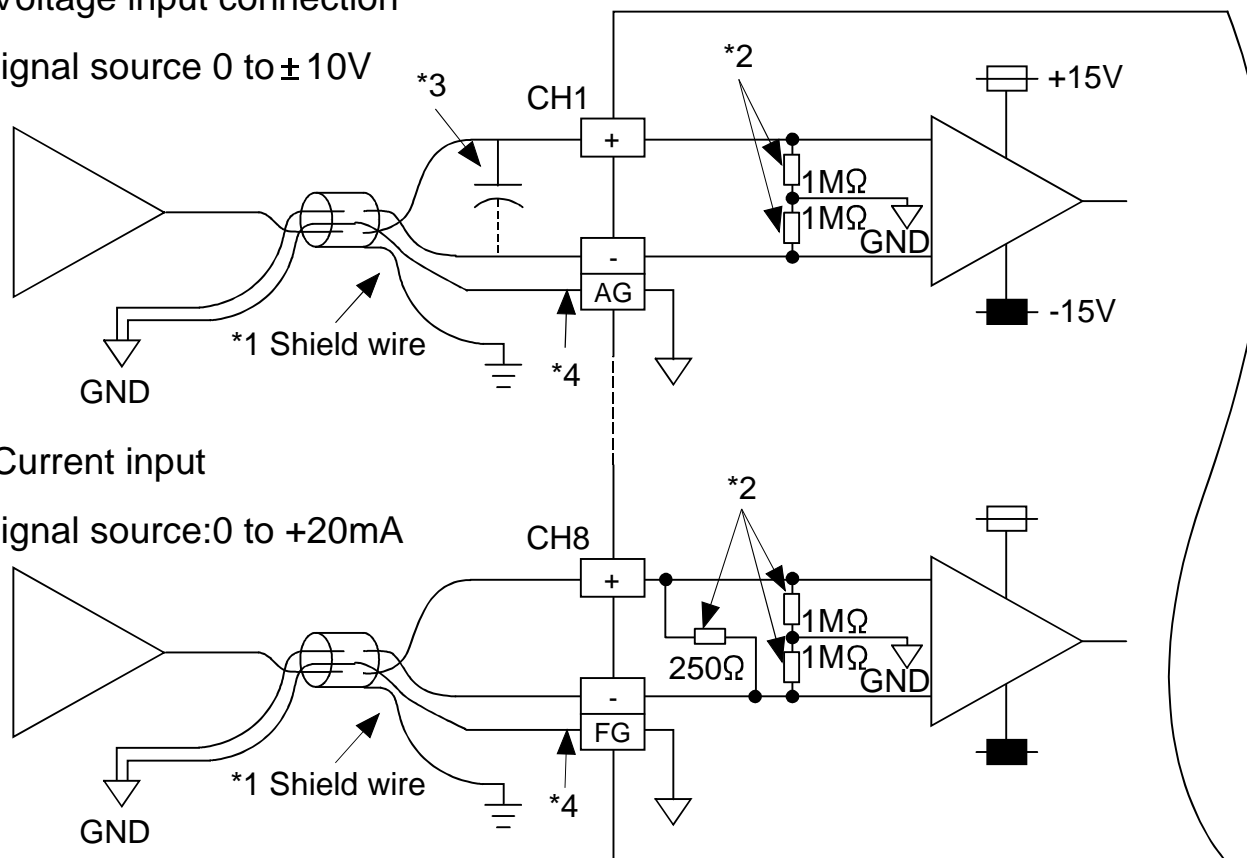
- (1) Use separate cables for AC input current and external input signals to the A1S68AD. This can prevent the effects of surge or induction of the AC input current.
- (2) Keep the external wiring at least 10cm away from the main circuit, high-voltage wires or load-carrying wires other than those extending from the PLC: otherwise, the wiring will be affected by noise, surge or induction.
- (3) Generally, ground the shielded wire or shielded cable at one point on the PLC CPU. However, depending on the external noise level, it may be advisable to ground it at an external location.

5.2 Module connection example

The figure below shows an example of voltage input and current input connections.

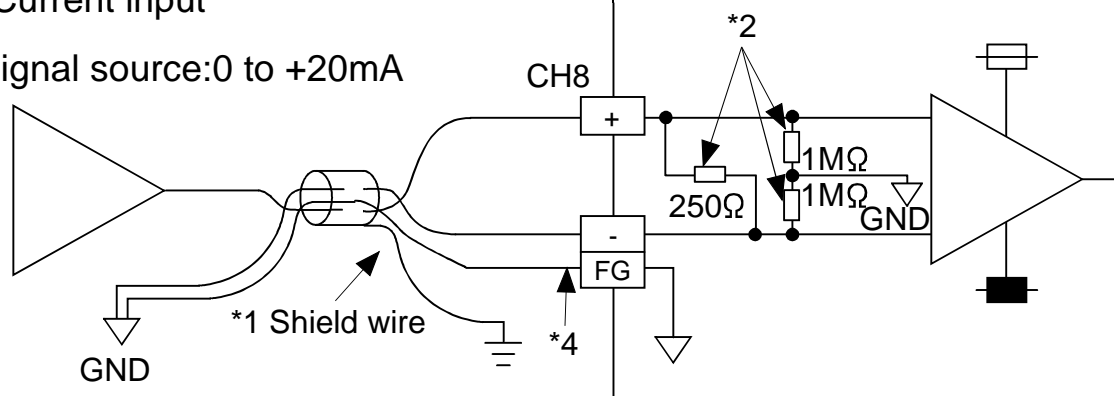
(1) Voltage input connection

Signal source 0 to $\pm 10V$



(2) Current input

Signal source: 0 to +20mA



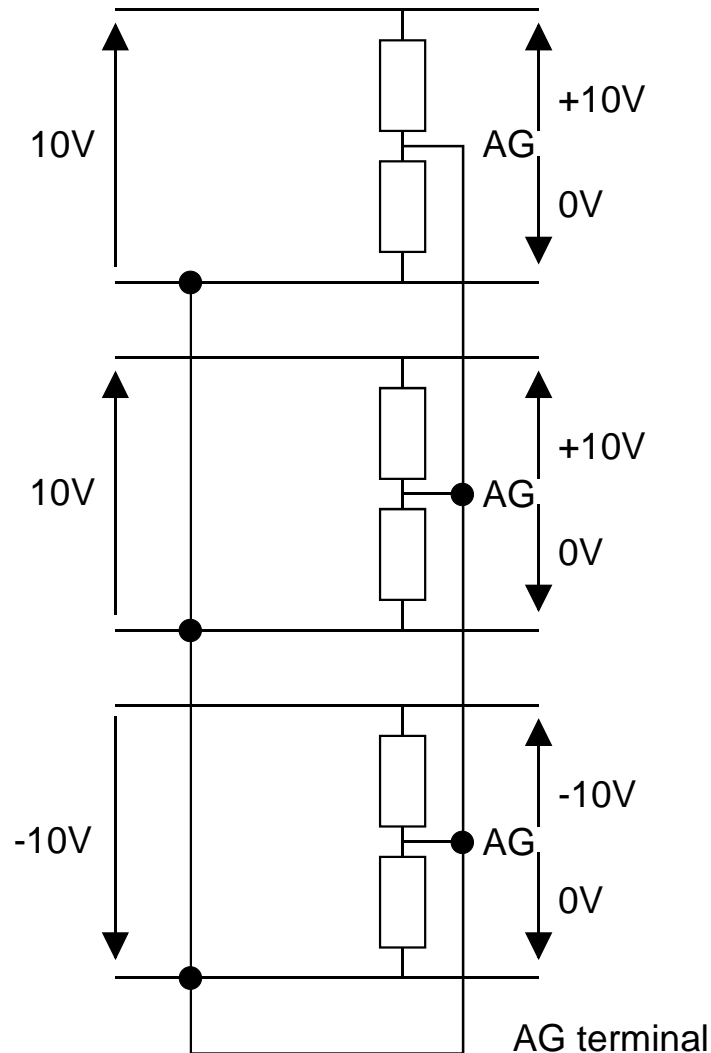
*1: Use a 2-pole twist shielded wire.

*2: Represents the input resistors of the A1S68AD. (For voltage input, turn off the 250 Ω resistor with the DIP switch.)

*3: If the external wiring causes noise or ripple, connect a capacitor of 0.1 to 0.47 μF (25V or more voltage resistance parts) between the V and COM terminals.

*4: AG is the GND terminal of the analog circuit. Connecting it to the GND terminal of an external device is not mandatory, but a higher level of accuracy may be obtained when it is connected.

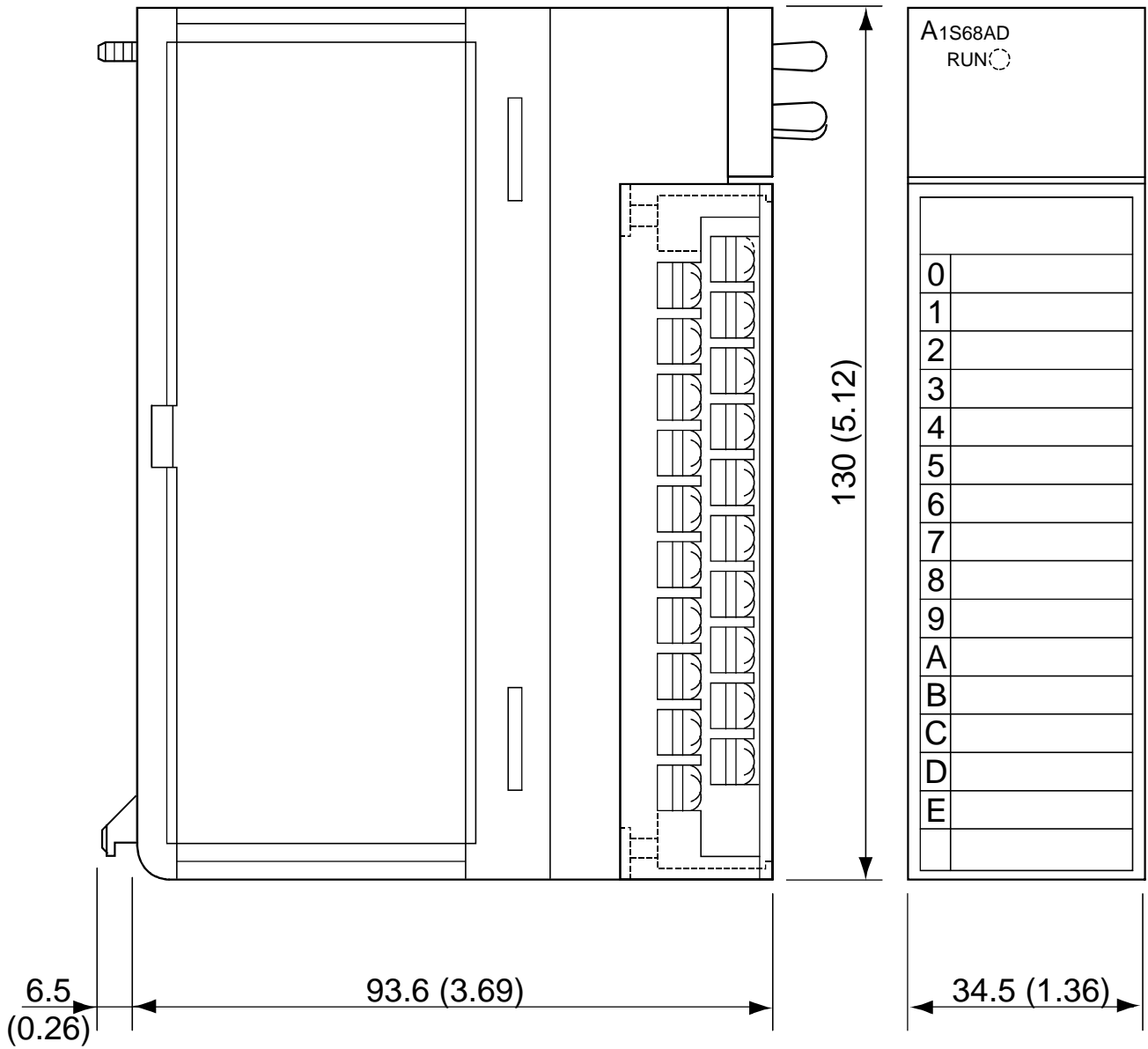
If there are three or more channels of the input range of -10 to 10V and the external devices connected to the channels shares a common line, the AG terminal must be connected the shared common line of the external device. (See the figure below.)



POINT

When the current input is selected, do not connect the sink type output device and the source output device together. If this happens, normal A/D conversion value cannot be stored.

6. Outside Dimensions



Unit:mm(inch)

Warranty

Mitsubishi will not be held liable for damage caused by factors found not to be the cause of Mitsubishi; machine damage or lost profits caused by faults in the Mitsubishi products; damage, secondary damage, accident compensation caused by special factors unpredictable by Mitsubishi; damages to products other than Mitsubishi products; and to other duties.

For safe use

- This product has been manufactured as a general-purpose part for general industries, and has not been designed or manufactured to be incorporated in a device or system used in purposes related to human life.
- Before using the product for special purposes such as nuclear power, electric power, aerospace, medicine or passenger movement vehicles, consult with Mitsubishi.
- This product has been manufactured under strict quality control. However, when installing the product where major accidents or losses could occur if the product fails, install appropriate backup or failsafe functions in the system.

| Country/Region | Sales office/Tel | Country/Region | Sales office/Tel |
|----------------|--|----------------|--|
| U.S.A | Mitsubishi Electric Automation Inc. 500 Corporate Woods Parkway Vernon Hills, IL 60061 Tel : +1-847-478-2100 | Hong Kong | Ryoden Automation Ltd. 10th Floor, Manulife Tower, 169 Electric Road, North Point, HongKong Tel : +852-2887-8870 |
| Brazil | MELCO-TEC Rep. Com.e Assessoria Tecnica Ltda. AV. Paulista 1471, Conj. 308, Sao Paulo City, Sao Paulo State, Brazil Tel : +55-11-283-2423 | China | Ryoden Automation Shanghai Ltd. 3F Block5 Building Automation Instrumentation Plaza 103 Cao Bao Rd. Shanghai 200233 China Tel : +86-21-6475-3228 |
| Germany | Mitsubishi Electric Europe B.V. German Branch Gothaer Strasse 8 D-40880 Ratingen, GERMANY Tel : +49-2102-486-0 | Taiwan | Setsuyo Enterprise Co., Ltd. 6F., No.105 Wu-Kung 3rd.RD, Wu-Ku Hsiang, Taipei Hsine, Taiwan Tel : +886-2-2299-2499 |
| U.K | Mitsubishi Electric Europe B.V. UK Branch Travellers Lane, Hatfield, Herts., AL10 8XB,UK Tel : +44-1707-276100 | Korea | HAN NEUNG TECHNO CO.,LTD. 1F Dong Seo Game Channel Bldg., 660-11, Deungchon-dong Kangsec-ku, Seoul, Korea Tel : +82-2-3660-9552 |
| Italy | Mitsubishi Electric Europe B.V. Italian Branch Centro Dir. Colleoni, Pal. Perseo-Ingr.2 Via Paracelso 12, 20041 Agrate B., Milano, Italy Tel : +39-039-6053344 | Singapore | Mitsubishi Electric Asia Pte, Ltd. 307 ALEXANDRA ROAD #05-01/02, MITSUBISHI ELECTRIC BUILDING SINGAPORE 159943 Tel : +65-6473-2308 |
| Spain | Mitsubishi Electric Europe B.V. Spanish Branch Carretera de Rubi 76-80 08190 - Sant Cugat del Valles, Barcelona, Spain Tel : +34-93-565-3131 | Thailand | F. A. Tech Co.,Ltd. 898/28,29,30 S.V.City Building,Office Tower 2,Floor 17-18 Rama 3 Road, Bangkpongpan, Yannawa, Bangkok 10120 Tel : +66-2-682-6522 |
| France | Mitsubishi Electric Europe B.V. French Branch 25 Boulevard des Bouvets, F-92741 Nanterre Cedex, France TEL: +33-1-5568-5568 | Indonesia | P.T. Autoteknindo SUMBER MAKMUR Jl. Muara Karang Selatan Block A Utara No.1 Kav. No.11 Kawasan Industri/ Pergudangan Jakarta - Utara 14440 Tel : +62-21-663-0833 |
| South Africa | Circuit Breaker Industries LTD. Tripswitch Drive, Elandsfontein Gauteng, South Africa Tel : +27-11-928-2000 | India | Messung Systems Put,Ltd. Electronic Sadan NO:111 Unit No15, M.I.D.C BHOSARI,PUNE-411026 Tel : +91-20-712-2807 |
| | | Australia | Mitsubishi Electric Australia Pty. Ltd. 348 Victoria Road, PostalBag, No 2, Rydalmere, N.S.W 2116, Australia Tel : +61-2-9684-7777 |

MITSUBISHI ELECTRIC CORPORATION

HEAD OFFICE : 1-8-12, OFFICE TOWER Z 14F HARUMI CHUO-KU 104-6212, JAPAN
NAGOYA WORKS : 1-14, YADA-MINAMI 5-CHOME, HIGASHI-KU, NAGOYA, JAPAN

When exported from Japan, this manual does not require application to the Ministry of Economy, Trade and Industry for service transaction permission.

Specifications subject to change without notice.
Printed in Japan on recycled paper.

HEADQUARTERS

MITSUBISHI ELECTRIC EUROPE B.V. **EUROPE**
 German Branch
 Gothaer Straße 8
D-40880 Ratingen
 Phone: +49 (0)2102 / 486-0
 Fax: +49 (0)2102 / 486-1120

MITSUBISHI ELECTRIC EUROPE B.V.-org.sl. **CZECH REP.**
 Czech Branch
 Avenir Business Park, Radlická 714/113a
CZ-158 00 Praha 5
 Phone: +420 - 251 551 470
 Fax: +420 - 251-551-471

MITSUBISHI ELECTRIC EUROPE B.V. **FRANCE**
 French Branch
 25, Boulevard des Bouvets
F-92741 Nanterre Cedex
 Phone: +33 (0)1 / 55 68 55 68
 Fax: +33 (0)1 / 55 68 57 57

MITSUBISHI ELECTRIC EUROPE B.V. **IRELAND**
 Irish Branch
 Westgate Business Park, Ballymount
IRL-Dublin 24
 Phone: +353 (0)1 4198800
 Fax: +353 (0)1 4198890

MITSUBISHI ELECTRIC EUROPE B.V. **ITALY**
 Italian Branch
 Viale Colleoni 7
I-20041 Agrate Brianza (MB)
 Phone: +39 039 / 60 53 1
 Fax: +39 039 / 60 53 312

MITSUBISHI ELECTRIC EUROPE B.V. **POLAND**
 Poland Branch
 Krakowska 50
PL-32-083 Balice
 Phone: +48 (0)12 / 630 47 00
 Fax: +48 (0)12 / 630 47 01

MITSUBISHI ELECTRIC EUROPE B.V. **RUSSIA**
 52, bid. 3 Kosmodamianskaya nab 8 floor
RU-115054 Moscow
 Phone: +7 495 721-2070
 Fax: +7 495 721-2071

MITSUBISHI ELECTRIC EUROPE B.V. **SPAIN**
 Spanish Branch
 Carretera de Rubí 76-80
E-08190 Sant Cugat del Vallés (Barcelona)
 Phone: 902 131121 // +34 935653131
 Fax: +34 935891579

MITSUBISHI ELECTRIC EUROPE B.V. **UK**
 UK Branch
 Travellers Lane
UK-Hatfield, Herts. AL10 8XB
 Phone: +44 (0)1707 / 27 61 00
 Fax: +44 (0)1707 / 27 86 95

MITSUBISHI ELECTRIC CORPORATION **JAPAN**
 Office Tower "Z" 14 F
 8-12,1 chome, Harumi Chuo-Ku
Tokyo 104-6212
 Phone: +81 3 622 160 60
 Fax: +81 3 622 160 75

MITSUBISHI ELECTRIC AUTOMATION, Inc. **USA**
 500 Corporate Woods Parkway
Vernon Hills, IL 60061
 Phone: +1 847 478 21 00
 Fax: +1 847 478 22 53

EUROPEAN REPRESENTATIVES

GEVA **AUSTRIA**
 Wiener Straße 89
AT-2500 Baden
 Phone: +43 (0)2252 / 85 55 20
 Fax: +43 (0)2252 / 488 60

TEHNIKON **BELARUS**
 Oktyabrskaya 16/5, Off. 703-711
BY-220030 Minsk
 Phone: +375 (0)17 / 210 46 26
 Fax: +375 (0)17 / 210 46 26

ESCO DRIVES & AUTOMATION **BELGIUM**
 Culliganlaan 3
BE-1831 Diegem
 Phone: +32 (0)2 / 717 64 30
 Fax: +32 (0)2 / 717 64 31

Koning & Hartman b.v. **BELGIUM**
 Woluwelaan 31
BE-1800 Vilvoorde
 Phone: +32 (0)2 / 257 02 40
 Fax: +32 (0)2 / 257 02 49

INEA BH d.o.o. **BOSNIA AND HERZEGOVINA**
 Aleja Lipa 56
BA-71000 Sarajevo
 Phone: +387 (0)33 / 921 164
 Fax: +387 (0)33 / 524 539

AKHNATON **BULGARIA**
 4 Andrej Ljapchev Blvd. Pb 21
BG-1756 Sofia
 Phone: +359 (0)2 / 817 6044
 Fax: +359 (0)2 / 97 44 06 1

INEA CR d.o.o. **CROATIA**
 Losinjska 4 a
HR-10000 Zagreb
 Phone: +385 (0)1 / 36 940 -01 / -02 / -03
 Fax: +385 (0)1 / 36 940 -03

AutoCont C.S. s.r.o. **CZECH REPUBLIC**
 Technologická 374/6
CZ-708 00 Ostrava-Pustkovec
 Phone: +420 595 691 150
 Fax: +420 595 691 199

Beijer Electronics A/S **DENMARK**
 Lykkegårdsvej 17
DK-4000 Roskilde
 Phone: +45 (0)46 / 75 76 66
 Fax: +45 (0)46 / 75 56 26

Beijer Electronics Eesti OÜ **ESTONIA**
 Pärnu mnt.160i
EE-11317 Tallinn
 Phone: +372 (0)6 / 51 81 40
 Fax: +372 (0)6 / 51 81 49

Beijer Electronics OY **FINLAND**
 Peltoie 37
FIN-28400 Ulvila
 Phone: +358 (0)207 / 463 540
 Fax: +358 (0)207 / 463 541

UTEKO **GREECE**
 5, Mavrogenous Str.
GR-18542 Piraeus
 Phone: +30 211 / 1206 900
 Fax: +30 211 / 1206 999

MELTRADE Kft. **HUNGARY**
 Fertő utca 14.
HU-1107 Budapest
 Phone: +36 (0)1 / 431-9726
 Fax: +36 (0)1 / 431-9727

Beijer Electronics SIA **LATVIA**
 Rītausmas iela 23
LV-1058 Rīga
 Phone: +371 (0)784 / 2280
 Fax: +371 (0)784 / 2281

Beijer Electronics UAB **LITHUANIA**
 Savanoriu Pr. 187
LT-02300 Vilnius
 Phone: +370 (0)5 / 232 3101
 Fax: +370 (0)5 / 232 2980

EUROPEAN REPRESENTATIVES

ALFATRADE Ltd. **MALTA**
 99, Paola Hill
Malta- Paola PLA 1702
 Phone: +356 (0)21 / 697 816
 Fax: +356 (0)21 / 697 817

INTEHSIS srl **MOLDOVA**
 bld. Traian 23/1
MD-2060 Kishinev
 Phone: +373 (0)22 / 66 4242
 Fax: +373 (0)22 / 66 4280

HIFLEX AUTOM.TECHNIEK B.V. **NETHERLANDS**
 Wolweverstraat 22
NL-2984 CD Ridderkerk
 Phone: +31 (0)180 - 46 60 04
 Fax: +31 (0)180 - 44 23 55

Koning & Hartman b.v. **NETHERLANDS**
 Haarderbergweg 21-23
NL-1101 CH Amsterdam
 Phone: +31 (0)20 / 587 76 00
 Fax: +31 (0)20 / 587 76 05

Beijer Electronics AS **NORWAY**
 Postboks 487
NO-3002 Drammen
 Phone: +47 (0)32 / 24 30 00
 Fax: +47 (0)32 / 84 85 77

Fonseca S.A. **PORTUGAL**
 R. João Francisco do Casal 87/89
PT - 3801-997 Aveiro, Esgueira
 Phone: +351 (0)234 / 303 900
 Fax: +351 (0)234 / 303 910

Sirius Trading & Services srl **ROMANIA**
 Aleea Lacul Morii Nr. 3
RO-060841 Bucuresti, Sector 6
 Phone: +40 (0)21 / 430 40 06
 Fax: +40 (0)21 / 430 40 02

Craft Con. & Engineering d.o.o. **SERBIA**
 Bulevar Svetog Cara Konstantina 80-86
SER-18106 Nis
 Phone: +381 (0)18 / 292-24-4/5
 Fax: +381 (0)18 / 292-24-4/5

INEA SR d.o.o. **SERBIA**
 Izletnicka 10
SER-113000 Smederevo
 Phone: +381 (0)26 / 617 163
 Fax: +381 (0)26 / 617 163

SIMAP s.r.o. **SLOVAKIA**
 Jána Derku 1671
SK-911 01 Trenčín
 Phone: +421 (0)32 743 04 72
 Fax: +421 (0)32 743 75 20

PROCONT, spol. s r.o. Prešov **SLOVAKIA**
 Kúpeľná 1/A
SK-080 01 Prešov
 Phone: +421 (0)51 7580 611
 Fax: +421 (0)51 7580 650

INEA d.o.o. **SLOVENIA**
 Stegne 11
SI-1000 Ljubljana
 Phone: +386 (0)1 / 513 8100
 Fax: +386 (0)1 / 513 8170

Beijer Electronics AB **SWEDEN**
 Box 426
SE-20124 Malmö
 Phone: +46 (0)40 / 35 86 00
 Fax: +46 (0)40 / 93 23 01

Omni Ray AG **SWITZERLAND**
 Im Schörl 5
CH-8600 Dübendorf
 Phone: +41 (0)44 / 802 28 80
 Fax: +41 (0)44 / 802 28 28

GTS **TURKEY**
 Bayraktar Bulvarı Nutuk Sok. No:5
TR-34775 Yukarı Dudullu-Ümraniye-İSTANBUL
 Phone: +90 (0)216 526 39 90
 Fax: +90 (0)216 526 39 95

CSC Automation Ltd. **UKRAINE**
 4-B, M. Raskovoyi St.
UA-02660 Kiev
 Phone: +380 (0)44 / 494 33 55
 Fax: +380 (0)44 / 494-33-66

EURASIAN REPRESENTATIVES

Kazpromautomatiks Ltd. **KAZAKHSTAN**
 Mustafina Str. 7/2
KAZ-470046 Karaganda
 Phone: +7 7212 / 50 11 50
 Fax: +7 7212 / 50 11 50

MIDDLE EAST REPRESENTATIVES

ILAN & GAVISH Ltd. **ISRAEL**
 24 Shenkar St., Kiryat Arie
IL-49001 Petah-Tiqva
 Phone: +972 (0)3 / 922 18 24
 Fax: +972 (0)3 / 924 0761

TEXEL ELECTRONICS Ltd. **ISRAEL**
 2 Ha'umanut, P.O.B. 6272
IL-42160 Netanya
 Phone: +972 (0)9 / 863 39 80
 Fax: +972 (0)9 / 885 24 30

CEG INTERNATIONAL **LEBANON**
 Cebaco Center/Block A Autostrade DORA
Lebanon - Beirut
 Phone: +961 (0)1 / 240 430
 Fax: +961 (0)1 / 240 438

AFRICAN REPRESENTATIVE

CBI Ltd. **SOUTH AFRICA**
 Private Bag 2016
ZA-1600 Isando
 Phone: +27 (0)11 / 977 0770
 Fax: +27 (0)11 / 977 0761