

MELSEC A Series

Programmable Logic Controller

User's Manual
(Hardware)

A1S63ADA

Analog input/output module

● SAFETY PRECAUTIONS ●

(Always read these instructions before using this equipment.)

When using this equipment, thoroughly read this manual and the associated manuals introduced in this manual. Also pay careful attention to safety and handle the equipment properly.

These precautions apply only to this equipment. Refer to the CPU module user's manual for a description of the PC system safety precautions.

These ●SAFETY PRECAUTIONS● classify the safety precautions into two categories: "DANGER" and "CAUTION".




DANGER

Procedures which may lead to a dangerous condition and cause death or serious injury, if not carried out properly.



CAUTION

Procedures which may lead to a dangerous condition and cause superficial to medium injury, or physical damage only, if not carried out properly.

Depending on circumstances, procedures indicated by  CAUTION may also be linked to serious results.

In any case, it is important to follow the directions for usage. Store this manual in a safe place so that you can take it out and read it whenever necessary.

Always forward it to the end user.

[DESIGN PRECAUTIONS]

DANGER

- Configure a safety circuit on the outside of the PC so that the entire system works to a safe side even when the external power failure occurs or PC main unit fails.

An erroneous output or operation may result in an accident.

CAUTION

- Use the PC in the environment given in the general specifications section of the applicable CPU module user's manual.
Failure to do so may result in electric shock, fire, or erroneous operation or may damage or degrade the equipment.

- Do not bundle, or install, the control cables with, or near, the main circuit and power cables.

Keep them at least 100 mm (3.9 inch) away from such cables.

Noise may cause erroneous operation.

[INSTALLATION PRECAUTIONS]

CAUTION

- Insert the tabs at the bottom of the module into the holes in the base module before installing the module. Be sure to install the module in the base module with screws tightened to the specified torque. Improper installation may cause erroneous operation, accident, or the module to fall out.
- Do not directly touch the module's conductive parts or electronic components. Doing so could cause malfunction or trouble in the module.

[WIRING PRECAUTIONS]

CAUTION

- If noise generates frequently, ground the AG and FG terminals using the PC dedicated class-D ground (class-three ground) or higher. Failure to do so may result in erroneous operation.
- Confirm the rated voltage and terminal arrangement of the module before wiring it to the PC. If a power supply of different rating is connected or a wiring is performed erroneously, fire or accident may result.
- Tighten the terminal screws to the specified torque. Loose terminal screws may cause a short circuit or erroneous operation. If excessively tightened, the terminal screws may be damaged, and cause a short circuit or erroneous operation.
- Be sure that cuttings, wire chips, or other foreign matter do not enter the module. Foreign matter may start a fire or cause an accident or erroneous operation.

[STARTING AND MAINTENANCE PRECAUTIONS]

CAUTION

- Do not touch live terminals.
It may cause erroneous operation.
- Turn off the power before cleaning the module or retightening the screws.
Doing this work while the power is on may damage the module or cause erroneous operation.
- Do not disassemble or rebuild the module.
It may cause accidents, erroneous operation, injury, or fire.
- Turn off the power before mounting and dismounting the module.
Mounting or dismounting the module while the power is on may damage the module or cause erroneous operation.

[OPERATING PRECAUTIONS]

CAUTION

- Do not output (ON) "Use Prohibited" signals from the PC CPU to the special module.
Doing so could erroneously operate the PC system.

[DISPOSAL PRECAUTIONS]

CAUTION

- When disposing of this equipment, handle it as industrial waste.

CONTENTS

Safety Precautions	A-1
Revision History	A-4
Contents	A-5
About the Manuals	A-6
1. OVER VIEW	1
2. PERFORMANCE SPECIFICATIONS	1
3. NAMES AND SETTINGS OF EACH PART	3
3.1 Names of each part	3
3.2 Setting the offset and gain	6
4. HANDLING	9
4.1 Precautions for handling	9
5. WIRING	11
5.1 Precautions for wiring	11
5.2 Example of module connection	11
6. OUTLINE DIMENSION DRAWINGS	13

About the Manuals

The following manuals are related to this product.
Order them if necessary.

Detailed manuals

Manual Name	Manual No. (Model code)
Analog input/output module type A1S63ADA User's Manual.	IB-66435 (13JE30)

1. OVERVIEW

This manual describes specifications, handling and wiring of an A1S63ADA Analog input/output module (hereinafter referred to as the A1S63ADA).

2. PERFORMANCE SPECIFICATIONS

The performance specifications of the A1S63ADA are shown below.

Item		Specifications							
A-D conversion	Analog input	Voltage:-10 to 0 to 10VDC(input resistance: 1MΩ) Current:-20 to 0 to 20mADC(input resistance: 250Ω)							
	Digital output	-4096 to 4095 (when resolution is set to 1/4000) -8192 to 8191 (when resolution is set to 1/8000) -12288 to 12287 (when resolution is set to 1/12000)							
	I/O characteristics *1	Analog input	Digital value output						
			1/4000	1/8000	1/12000				
		10V	4000	8000	12000				
		5V or 20mA	2000	4000	6000				
		0V or 4mA	0	0	0				
	-5V or -20mA	-2000	-4000	-6000					
	-10V	-4000	-8000	-12000					
Max. resolution	Voltage	2.5mV	1.25mV	0.83mV					
	Current	10μA	5μA	3.33μA					
Conversion speed	—————	1ms/ch	2ms/ch	3ms/ch					
General accuracy*2	± 1%	± 40	± 80	± 120					
Absolute max. input	Voltage: ± 15V Current: ± 30mA								
Analog input points	2 channel								
D-A conversion	—————	Voltage output				Current output			
	Digital input	-4000 to 4000 (when resolution is set to 1/4000) -8000 to 8000 (when resolution is set to 1/8000) -12000 to 12000 (when resolution is set to 1/12000)				0 to 4000 (when resolution is set to 1/4000) 0 to 8000 (when resolution is set to 1/8000) 0 to 12000 (when resolution is set to 1/12000)			
	Analog output	-10 to 0 to 10VDC(external load resistance:2kΩ to 1MΩ)				0 to 20mADC(external load resistance:0Ω to 600Ω)			
	I/O characteristics *3	1/4000	1/8000	1/12000	Analog output value	1/4000	1/8000	1/12000	Analog output value
		4000	8000	12000	10V	4000	8000	12000	20mA
		2000	4000	6000	5V	2000	4000	6000	12mA
0		0	0	0V	0	0	0	4mA	
-2000		-4000	-6000	-5V	—	—	—	—	
-4000	-8000	-12000	-10V	—	—	—	—		
Max. resolution	1/4000	1/8000	1/12000	2.5mV	5μA				
	1/8000	1.25mV	2.5μA						
	1/12000	0.83mV	1.7μA						

Item		Specifications	
D-A conversion		Voltage output	Current output
	Conversion speed*4	1ms(1/4000) 2ms(1/8000) 3ms(1/12000)	
	General accuracy*5	± 1%(± 0.1V)	± 1%(± 0.2mA)
	Solute max. output	Voltage: ± 12V Current: + 28mA	
	Output shorting protection	Provided	
	Analog output points	1channel	
Common to A-D and D-A conversions	Insulation method	Across the I/O terminals and PC power supply Photocoupler insulation Across channelsNot insulated.	
Conversion speed in simple loop control*6		4ms(1/4000) 7ms(1/8000) 9ms(1/12000)	
Number of occupying I/O points		32 points	
Connection terminal block		20-point terminal block (M3.5 (7 screw)	
Applicable wire size		0.75 to1.5mm ²	
Applicable crimp terminal		1.25-3.5 1.25-YS3A 2-3.5 2-YS3A V1.25-M3 V1.25-YS3A V2-3.5 V2-YS3A	
Internal current consumption (5 VDC)		0.8A	
Weight		0.3kg	

The offset and gain are set as shown below as the default setting.

CH1 ... Offset: 0V/4mA, Gain: 5V/20mA

CH2 ... Offset: 0V/4mA, Gain: 5V/20mA

CH3 ... Offset: 0V/4mA, Gain: 10V/20mA

*1: For offset value: 0V/4mA, gain value: 5V/20mA

*2: This is the accuracy in respect to the maximum digital output value. The maximum digital output value is the maximum value at the selected resolution, and is the same for either a current input or voltage input.

*3: For offset value: 0V/4mA, gain value: 10V/20mA

*4: Depending on the timing of reading the digital value from the PLC CPU, the process may be carried out with a delay of up to one conversion processing time. The response time for the amplifier to output the D/A converted data to an external source is "maximum 1ms".

*5: This is the accuracy in respect to the maximum analog output value.

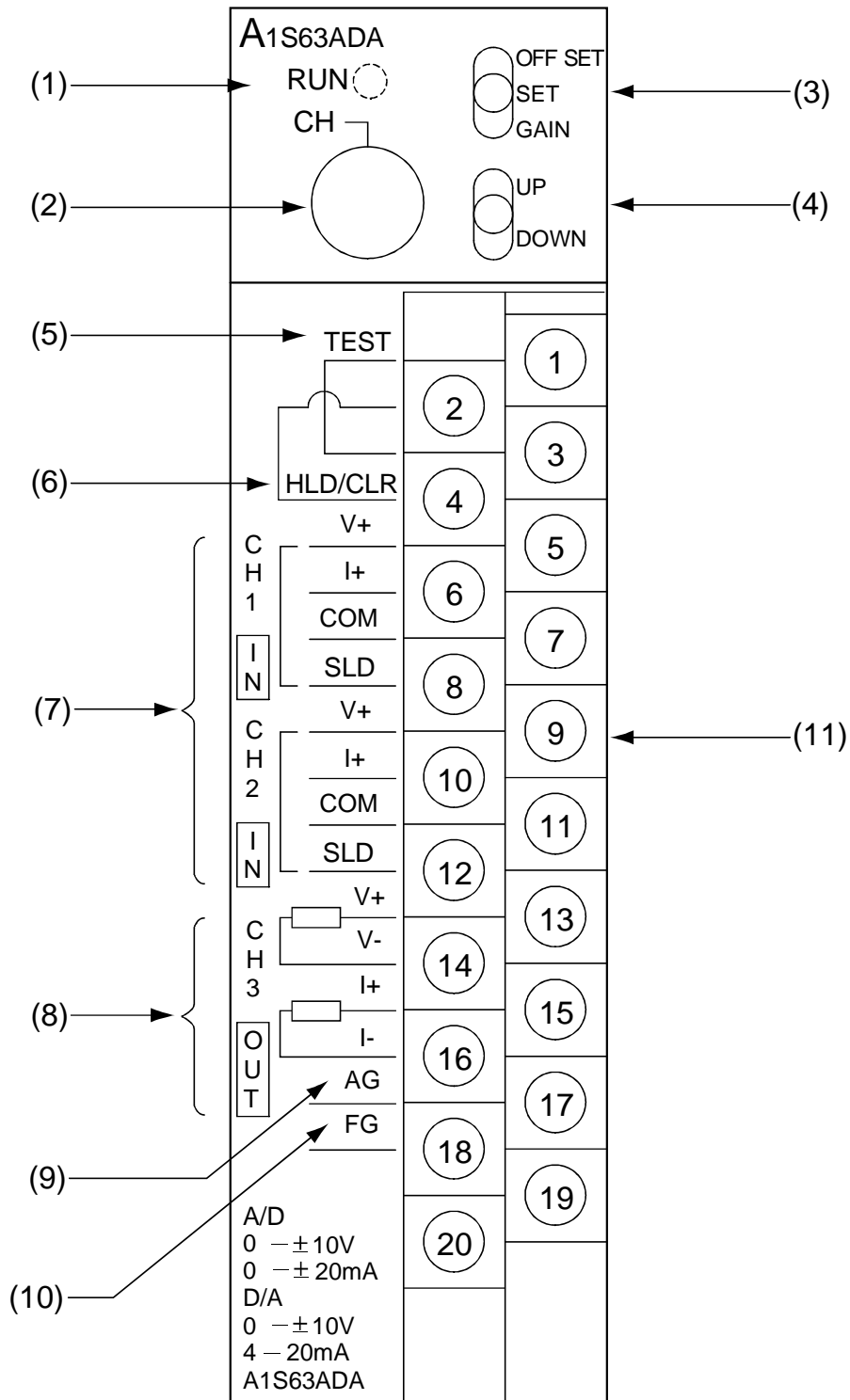
*6: The response time for the amplifier to output the D/A converted data to an external source is "1ms". For the general specifications, refer to the User's Manual for the PLC CPU in use.


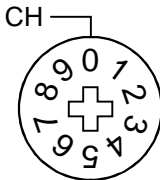

POINT
For approx. 30 minutes after the power is turned ON, the A/D conversion value will fluctuate due to the effect of the self-generated heat. If this fluctuation is a problem, start control after warming up for approx. 30 minutes. In the same manner, wait approx. 30 minutes to warm up before adjusting the offset/gain value (user-set).


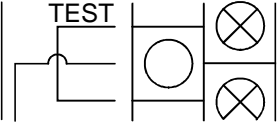
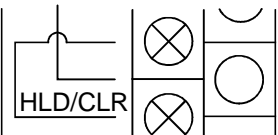
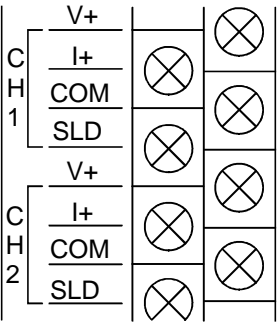
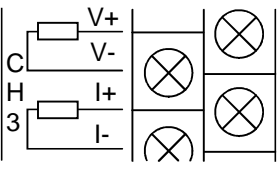
3. NAMES AND SETTINGS OF EACH PART

3.1 Names of each part

The names of each part are explained in this section.

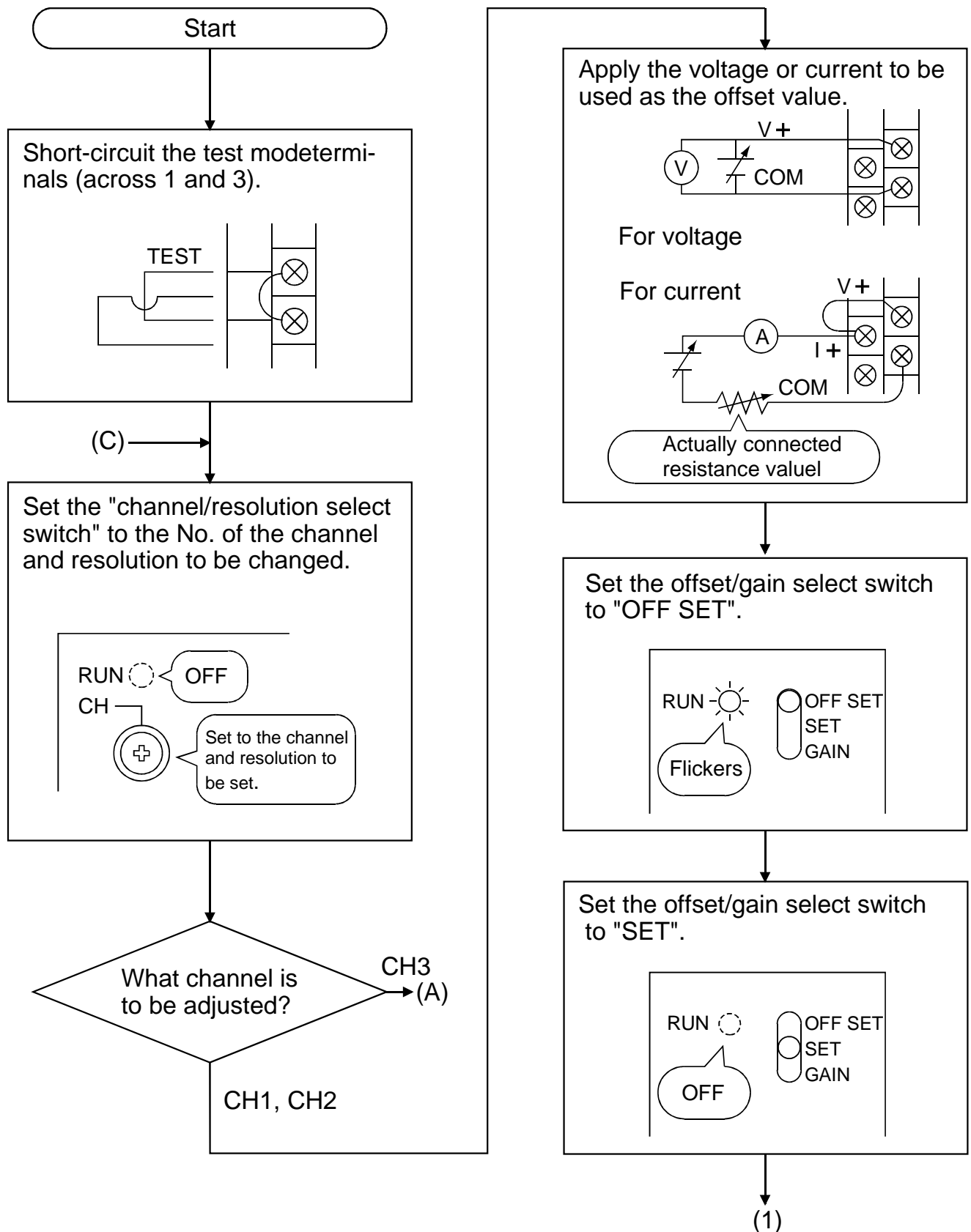


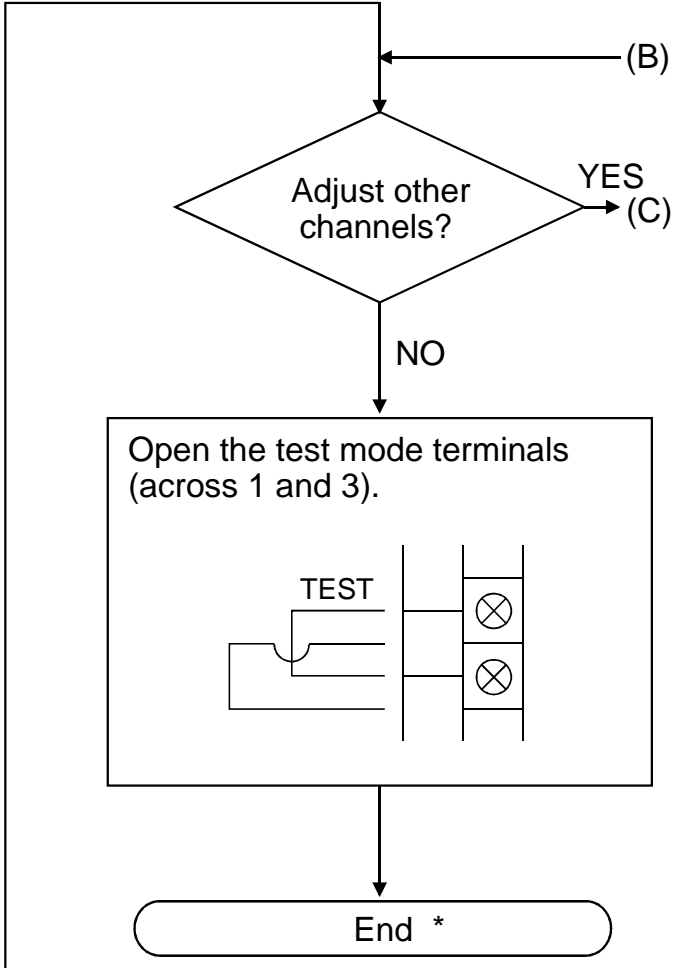
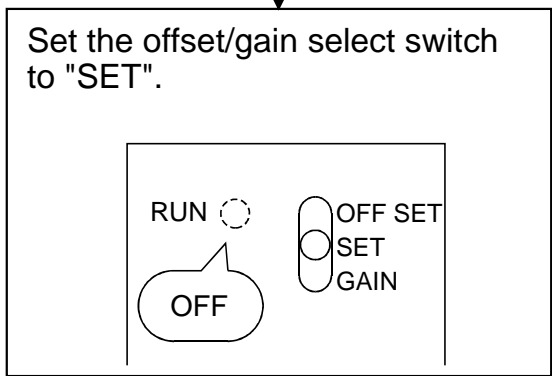
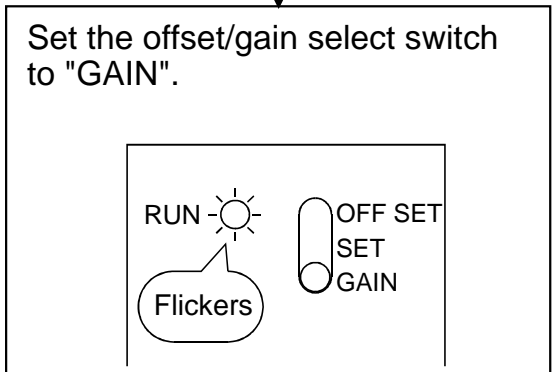
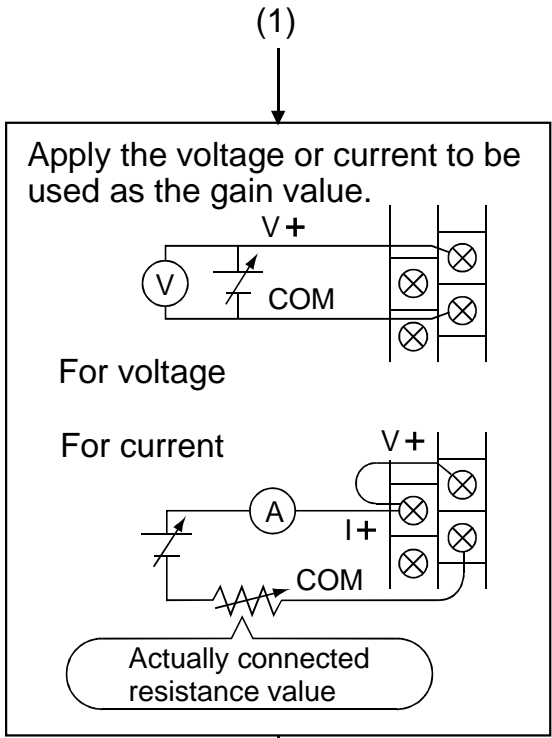
No.	Name	Details																								
(1)	RUN LED 	This indicates the A1S63ADA operation state. <ul style="list-style-type: none"> • Normal mode <ul style="list-style-type: none"> LED ON: In normal operation Flickering: Setting data error LED OFF: 5V power OFF or watch dog timer error • Test mode <ul style="list-style-type: none"> Flickering: The LED flickers at a 0.25 second interval when the offset/gain select switch is set to "OFFSET" or "GAIN". If the CH3 setting value is set above the setting range with the UP/DOWN switch, the LED will flicker at a fast 0.1 second interval. LED OFF: The offset/gain select switch is set to "SET". 																								
(2)	Channel, resolution select switch 	This sets the channel for adjusting the offset/gain value and the resolution. <ul style="list-style-type: none"> • Normal mode: Invalid • Test mode : Valid <p style="text-align: right;">(Factly setting: 0)</p> <table border="1" data-bbox="702 1097 1516 1601"> <thead> <tr> <th>Setting value</th> <th>Offset/gain adjustment channel</th> <th>Resolution</th> </tr> </thead> <tbody> <tr> <td>1</td> <td>CH1</td> <td rowspan="3">1/14000</td> </tr> <tr> <td>2</td> <td>CH2</td> </tr> <tr> <td>3</td> <td>CH3</td> </tr> <tr> <td>4</td> <td>CH4</td> <td rowspan="3">1/8000</td> </tr> <tr> <td>5</td> <td>CH5</td> </tr> <tr> <td>6</td> <td>CH6</td> </tr> <tr> <td>7</td> <td>CH7</td> <td rowspan="3">1/12000</td> </tr> <tr> <td>8</td> <td>CH8</td> </tr> <tr> <td>9</td> <td>CH9</td> </tr> </tbody> </table>	Setting value	Offset/gain adjustment channel	Resolution	1	CH1	1/14000	2	CH2	3	CH3	4	CH4	1/8000	5	CH5	6	CH6	7	CH7	1/12000	8	CH8	9	CH9
Setting value	Offset/gain adjustment channel	Resolution																								
1	CH1	1/14000																								
2	CH2																									
3	CH3																									
4	CH4	1/8000																								
5	CH5																									
6	CH6																									
7	CH7	1/12000																								
8	CH8																									
9	CH9																									
(3)	Offset/gain select switch 	OFFSET position: The offset value is adjusted. SET position : When moved from OFFSET to SET, the offset value is registered. When moned from GAIN to SET, the gain value is registered. GAIN position : The gain value is adjusted.																								

No.	Name	Details						
(4)	UP/DOWN switch 	This increments or decrements the CH3 offset value or gain value. <table border="1" data-bbox="512 277 1339 544"> <thead> <tr> <th data-bbox="512 277 906 367">Time at UP/DOWN position</th> <th data-bbox="906 277 1339 367">Increment/decrement width</th> </tr> </thead> <tbody> <tr> <td data-bbox="512 367 906 456">Less than 1.5s</td> <td data-bbox="906 367 1339 456">Voltage: approx. 2.5mV Current: approx. 5μA</td> </tr> <tr> <td data-bbox="512 456 906 544">1.5s or more</td> <td data-bbox="906 456 1339 544">Voltage: approx. 50mV Current: approx. 5μA</td> </tr> </tbody> </table>	Time at UP/DOWN position	Increment/decrement width	Less than 1.5s	Voltage: approx. 2.5mV Current: approx. 5μA	1.5s or more	Voltage: approx. 50mV Current: approx. 5μA
Time at UP/DOWN position	Increment/decrement width							
Less than 1.5s	Voltage: approx. 2.5mV Current: approx. 5μA							
1.5s or more	Voltage: approx. 50mV Current: approx. 5μA							
(5)	Test mode terminal 	This is used to adjust the offset/gain value and to set the resolution. <ul style="list-style-type: none"> • Short-circuit across terminals 1 and 3 ... Test mode • Open across terminals 1 and 3 ... Normal mode 						
(6)	Output hold/clear setting terminal 	This sets the CH3 analog output state when the PLC CPU is stopped. Open across terminals 2 and 4: The offset value is output when the CPU is stopped (clear) Short-circuit across terminals 2 and 4: The analog value is output when the CPU is stopped (hold)						
(7)	Analog input terminal(CH1, CH2) 	The CH1 and CH2 analog values (voltage/current) are input.						
(8)	Analog output terminal(CH3) 	The CH3 analog values (voltage/current) is output.						
(9)	Analog ground terminal	This is the ground terminal for the analog signal.						
(10)	Frame ground terminal	This is the module's ground terminal.						
(11)	Terminal block	The numbers in the drawing indicate the terminal No.						

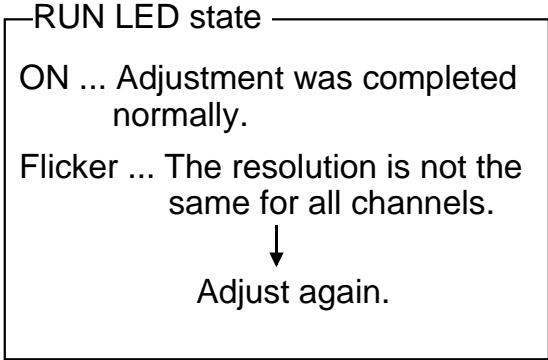
3.2 Setting the offset and gain

Use the following procedure to change the input/output conversion characteristics.

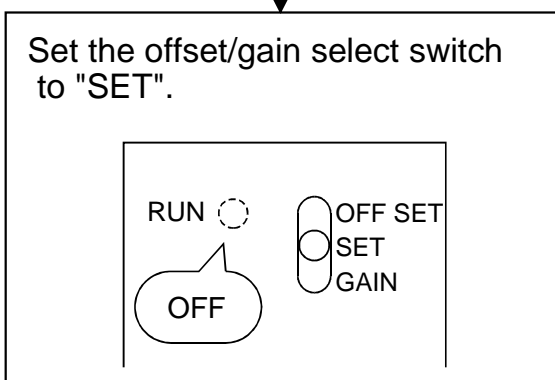
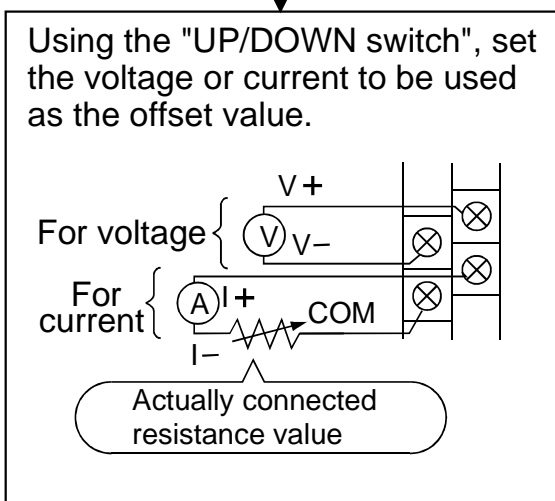
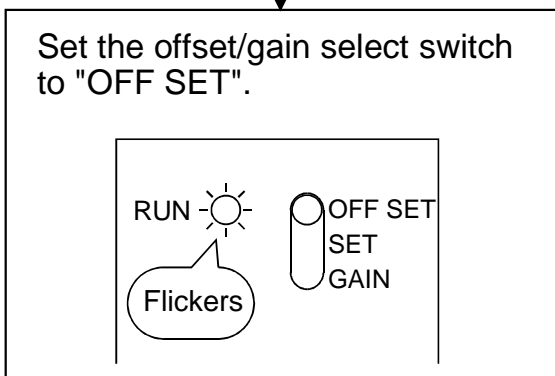




* The state of the RUN LED after the adjustment is shown below.

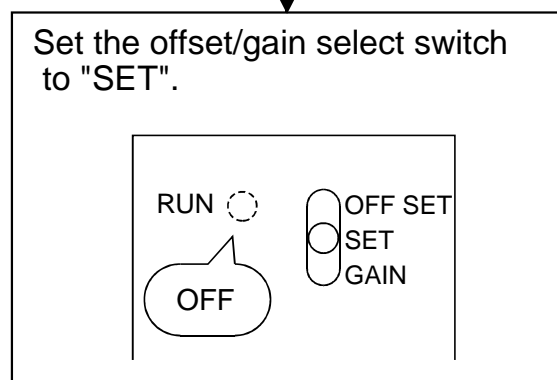
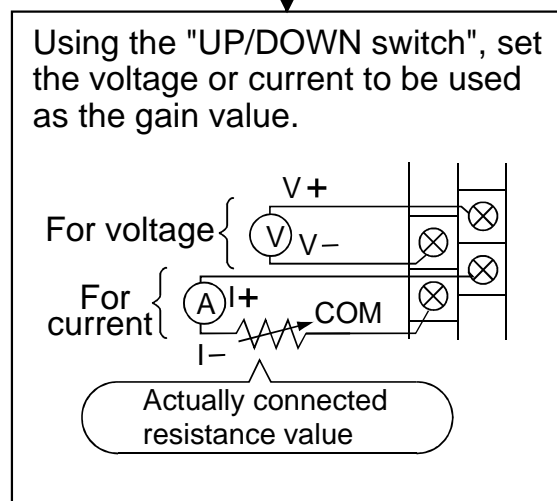
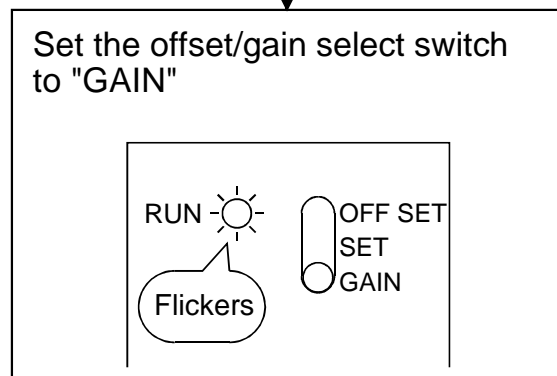


(A)



(2)

(2)



(B)

Remark

The offset value and gain values are set as follows.

- (1) A/D conversion section
 - (a) The offset value is the analog input value (voltage or current) at which the digital output value is "0".
 - (b) The gain value is the analog input value (voltage or current) at which the digital output value is one of the following.
 1. 2000 (resolution 1/4000)
 2. 4000 (resolution 1/8000)
 3. 6000 (resolution 1/12000)
- (2) D/A conversion section
 - (a) The offset value is the analog value (voltage or current) output from the A1S63ADA when the digital value is "0".
 - (b) The gain value is the analog value (voltage or current) output from the A1S63ADA when the digital value is one of the following.
 1. 4000 (resolution 1/4000)
 2. 8000 (resolution 1/8000)
 3. 12000 (resolution 1/12000)

4. HANDLING

4.1 Precautions for handling

- (1) As the body case and terminal block are made of resin, do not drop these or apply strong impacts.
- (2) Do not remove the module's PCB from the case. Failure to observe this could lead to faults.
- (3) Make sure that foreign matter such as wire scraps do not enter the module from the top while wiring. If any foreign matter enters, remove it.
- (4) Tighten the module tightening screws and terminal screws, etc., within the following range.

Screw position	Tightening torque range
Module tightening screw (M4 screw)	78 to 118N • cm
Terminal block terminal screw (M3.5 screw)	59 to 88N • cm
Terminal block installation screw (M4 screw)	78 to 118N • cm

5. WIRING

The precautions for wiring and examples of connecting the module are given in this section.

5.1 Precautions for wiring

One condition for creating a highly reliable system and using the A1S63ADA functions to the fullest is to carry out wiring that is not easily "affected by noise".

Precautions for wiring are given below.

- (1) Use separate cables for the alternating current and A1S63ADA analog input, and make sure that the alternating current side is not affected by surge or induction.
- (2) Do not wire near or with the main circuit wires, high-voltage wires or load wire other than from the PLC. If laid close together, the wires will be affected by noise, surge and induction.
- (3) Ground the shield wire or the shield of the shield cable at one point on the PLC side.
Note that depending on the state of noise from the external source, these should be grounded on the external side.

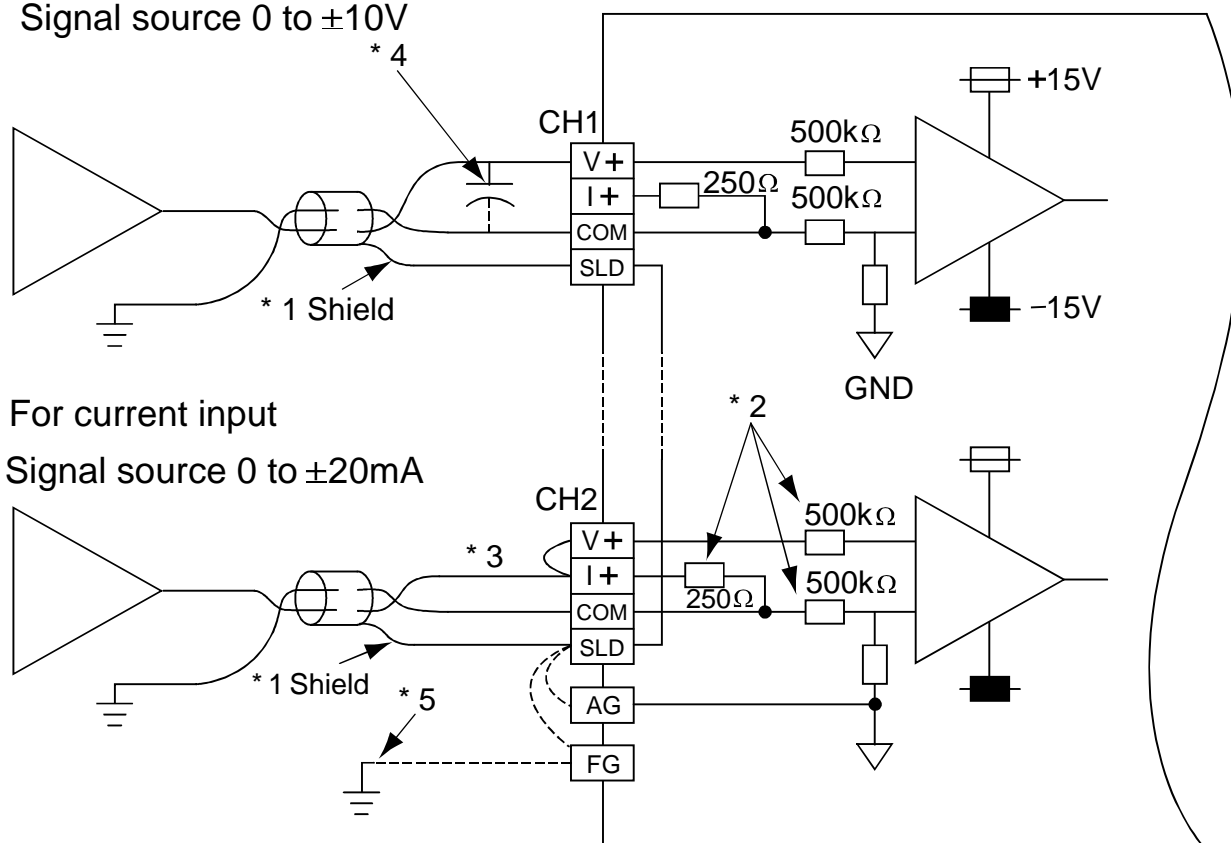
5.2 Example of module connection

The method for wiring the A1S63ADA is shown below.

(1) CH1 and CH2

(a) For voltage input

Signal source 0 to $\pm 10V$



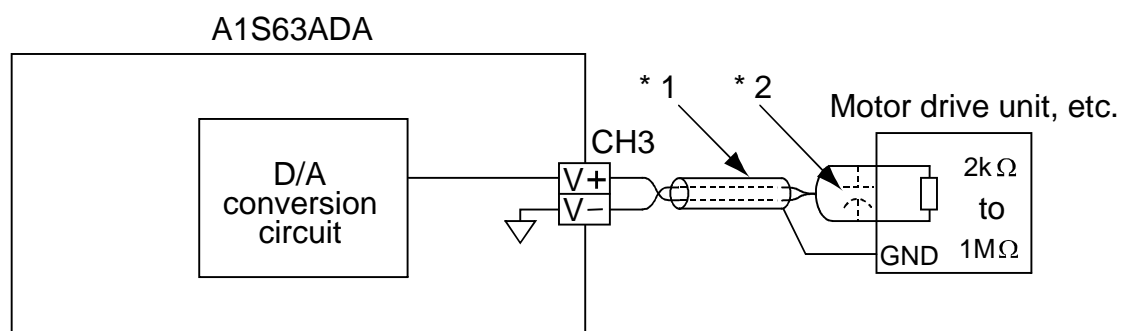
(b) For current input

Signal source 0 to $\pm 20mA$

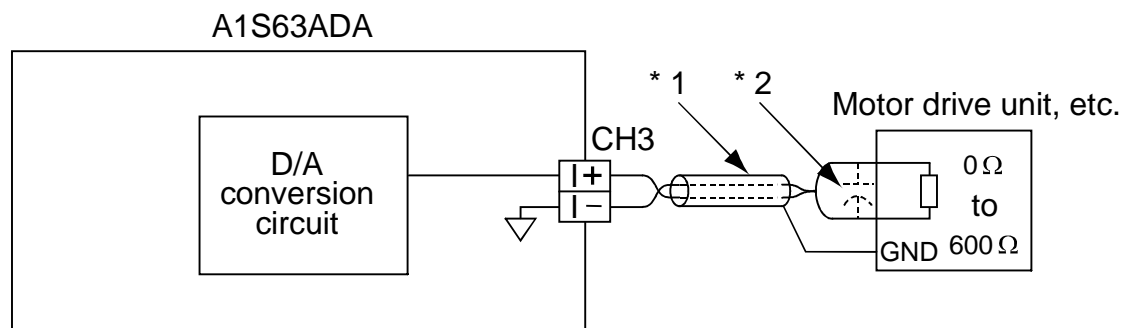
- *1: Use a 2-core twisted shield wire for the wire.
- *2: This indicates the A1S63ADA input resistance.
- *3: When inputting the current, always connect the (V+) and (I+) terminals.
- *4: If noise or ripple is generated in the external wire, connect an approx. 0.1 to 0.47 μ F25WV capacitor between terminal V and COM.
- *5: If there are high levels of noise, always ground. There may be cases where the power supply unit FG or main module FG should also be grounded. If the grounding wire is changed (connected or disconnected) after setting the offset value and gain value, set the offset value and gain value again.

(2) CH3

(a) For voltage output



(b) For current output



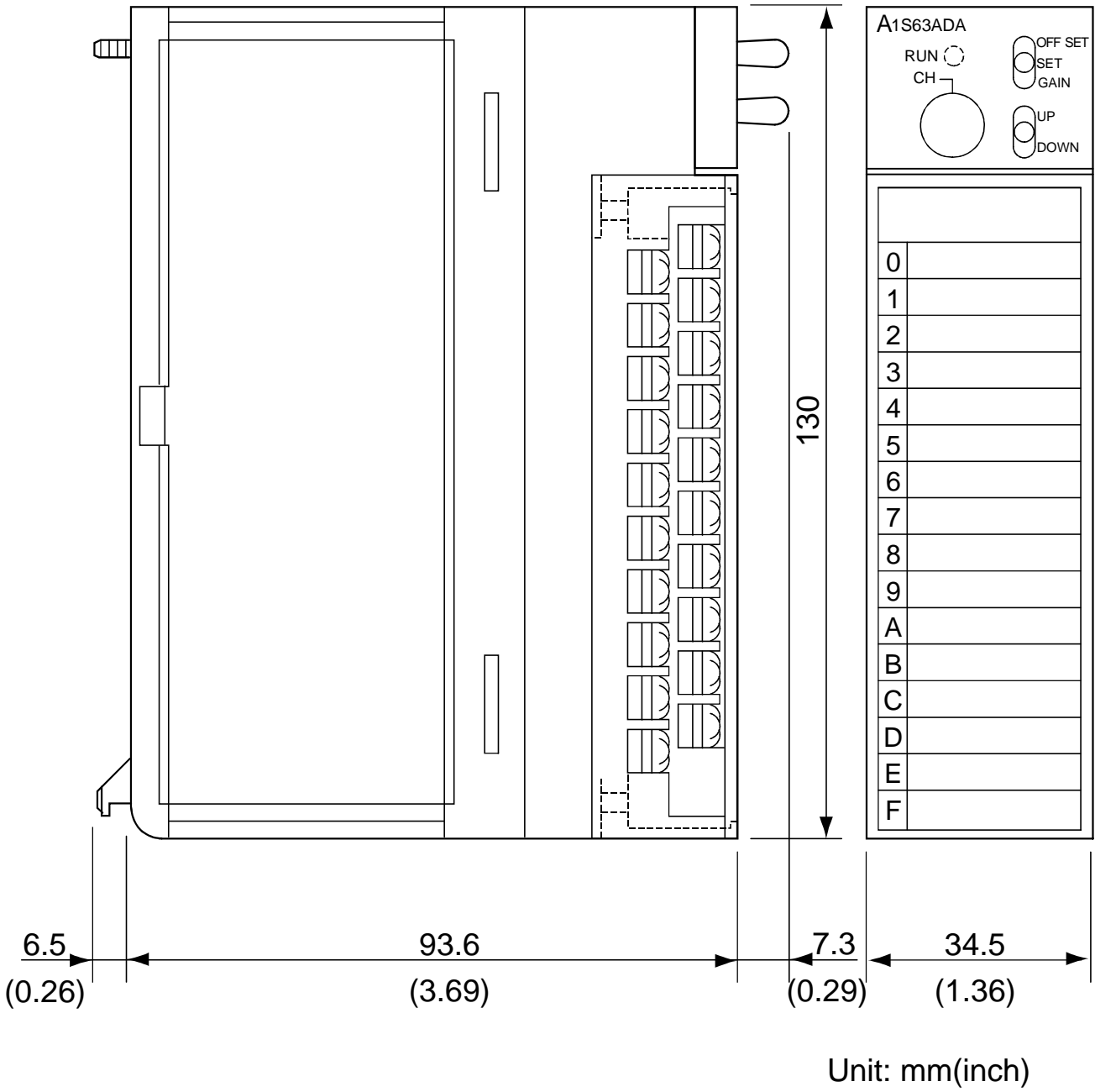
- *1: Use a 2-core twisted shield wire for the wire.
- *2: If noise or ripple is generated in the external wire, connect an approx. 0.1 to 0.47 μ F25WV capacitor to the external device's input terminal.

IMPORTANT

The voltage and current output of the same channel cannot be used simultaneously.

The internal element will be damaged if used together, so always open the terminals that are not in use.

6. EXTERNAL DIMENSIONS DIAGRAM



Warranty

Mitsubishi will not be held liable for damage caused by factors found not to be the cause of Mitsubishi; machine damage or lost profits caused by faults in the Mitsubishi products; damage, secondary damage, accident compensation caused by special factors unpredictable by Mitsubishi; damages to products other than Mitsubishi products; and to other duties.

⚠ For safe use

- This product has been manufactured as a general-purpose part for general industries, and has not been designed or manufactured to be incorporated in a device or system used in purposes related to human life.
- Before using the product for special purposes such as nuclear power, electric power, aerospace, medicine or passenger movement vehicles, consult with Mitsubishi.
- This product has been manufactured under strict quality control. However, when installing the product where major accidents or losses could occur if the product fails, install appropriate backup or failsafe functions in the system.

Country/Region	Sales office/Tel	Country/Region	Sales office/Tel
U.S.A	Mitsubishi Electric Automation Inc. 500 Corporate Woods Parkway Vernon Hills, IL 60061 Tel : +1-847-478-2100	China	Ryoden International Shanghai Ltd. 3F Block5 Building Automation Instrumentation Plaza 103 Cao Bao Rd. Shanghai 200233 China Tel : +86-21-6475-3228
Brazil	MELCO-TEC Rep. Com.e Assessoria Tecnica Ltda. Av. Rio Branco, 123-15 ,and S/1507, Rio de Janeiro, RJ CEP 20040-005, Brazil Tel : +55-21-221-8343	Taiwan	Setsuyo Enterprise Co., Ltd. 6F., No.105 Wu-Kung 3rd.RD, Wu-Ku Hsiang, Taipei Hsine, Taiwan Tel : +886-2-2299-2499
Germany	Mitsubishi Electric Europe B.V. German Branch Gothaer Strasse 8 D-40880 Ratingen, GERMANY Tel : +49-2102-486-0	Korea	HAN NEUNG TECHNO CO.,LTD. 1F Dong Seo Game Channel Bldg., 660-11, Deungchon-dong Kangsec-ku, Seoul, Korea Tel : +82-2-3668-6567
U.K	Mitsubishi Electric Europe B.V. UK Branch Travellers Lane, Hatfield, Herts., AL10 8XB,UK Tel : +44-1707-276100	Singapore	Mitsubishi Electric Asia Pte, Ltd. 307 ALEXANDRA ROAD #05-01/02, MITSUBISHI ELECTRIC BUILDING SINGAPORE 159943 Tel : +65-473-2480
Italy	Mitsubishi Electric Europe B.V. Italian Branch Centro Dir. Colleoni, Pal. Perseo - Ingr.2 Via Paracelso 12, 20041 Agrate B., Milano, Italy Tel:+39-039-60531	Thailand	F. A. Tech Co.,Ltd. 898/28,29,30 S.V.City Building,Office Tower 2,Floor 17-18 Rama 3 Road, Bangkpongpan, Yannawa, Bangkok 10120 Tel : +66-2-682-6522
Spain	Mitsubishi Electric Europe B.V. Spanish Branch Carretera de Rubi 76-80 08190 - Sant Cugat del Valles, Barcelona, Spain Tel:+34-935-653135	Indonesia	P.T. Autoteknindo SUMBER MAKMUR Jl. Muara Karang Selatan Block A Utara No.1 Kav. No.11 Kawasan Industri/ Pergudangan Jakarta - Utara 14440 Tel : +62-21-663-0833
South Africa	Circuit Breaker Industries LTD. Private Bag 2016, Isando 1600, Johannesburg, South Africa Tel : +27-11-928-2000	India	Messung Systems Put,Ltd. Electronic Sadan NO:111 Unit No15, M.I.D.C BHOSARI,PUNE-411026 Tel : +91-20-7128927
Hong Kong	Ryoden Automation Ltd. 10th Floor, Manulife Tower, 169 Electric Road, North Point, HongKong Tel : +852-2887-8870	Australia	Mitsubishi Electric Australia Pty. Ltd. 348 Victoria Road, PostalBag, No 2, Rydalmere, N.S.W 2116, Australia Tel : +61-2-9684-7777

MITSUBISHI ELECTRIC CORPORATION

HEAD OFFICE : 1-8-12, OFFICE TOWER Z 14F HARUMI CHUO-KU 104-6212, JAPAN
NAGOYA WORKS : 1-14, YADA-MINAMI5, HIGASHI-KU, NAGOYA, JAPAN

When exported from Japan, this manual does not require application to the Ministry of Economy, Trade and Industry for service transaction permission.

Specifications subject to change without notice.
Printed in Japan on recycled paper.

HEADQUARTERS

MITSUBISHI ELECTRIC EUROPE B.V. **EUROPE**
 German Branch
 Gothaer Straße 8
D-40880 Ratingen
 Phone: +49 (0)2102 / 486-0
 Fax: +49 (0)2102 / 486-1120

MITSUBISHI ELECTRIC EUROPE B.V.-org.sl. **CZECH REP.**
 Czech Branch
 Avenir Business Park, Radlická 714/113a
CZ-158 00 Praha 5
 Phone: +420 - 251 551 470
 Fax: +420 - 251-551-471

MITSUBISHI ELECTRIC EUROPE B.V. **FRANCE**
 French Branch
 25, Boulevard des Bouvets
F-92741 Nanterre Cedex
 Phone: +33 (0)1 / 55 68 55 68
 Fax: +33 (0)1 / 55 68 57 57

MITSUBISHI ELECTRIC EUROPE B.V. **IRELAND**
 Irish Branch
 Westgate Business Park, Ballymount
IRL-Dublin 24
 Phone: +353 (0)1 4198800
 Fax: +353 (0)1 4198890

MITSUBISHI ELECTRIC EUROPE B.V. **ITALY**
 Italian Branch
 Viale Colleoni 7
I-20041 Agrate Brianza (MB)
 Phone: +39 039 / 60 53 1
 Fax: +39 039 / 60 53 312

MITSUBISHI ELECTRIC EUROPE B.V. **POLAND**
 Poland Branch
 Krakowska 50
PL-32-083 Balice
 Phone: +48 (0)12 / 630 47 00
 Fax: +48 (0)12 / 630 47 01

MITSUBISHI ELECTRIC EUROPE B.V. **RUSSIA**
 52, bid. 3 Kosmodamianskaya nab 8 floor
RU-115054 Moscow
 Phone: +7 495 721-2070
 Fax: +7 495 721-2071

MITSUBISHI ELECTRIC EUROPE B.V. **SPAIN**
 Spanish Branch
 Carretera de Rubí 76-80
E-08190 Sant Cugat del Vallés (Barcelona)
 Phone: 902 131121 // +34 935653131
 Fax: +34 935891579

MITSUBISHI ELECTRIC EUROPE B.V. **UK**
 UK Branch
 Travellers Lane
UK-Hatfield, Herts. AL10 8XB
 Phone: +44 (0)1707 / 27 61 00
 Fax: +44 (0)1707 / 27 86 95

MITSUBISHI ELECTRIC CORPORATION **JAPAN**
 Office Tower "Z" 14 F
 8-12,1 chome, Harumi Chuo-Ku
Tokyo 104-6212
 Phone: +81 3 622 160 60
 Fax: +81 3 622 160 75

MITSUBISHI ELECTRIC AUTOMATION, Inc. **USA**
 500 Corporate Woods Parkway
Vernon Hills, IL 60061
 Phone: +1 847 478 21 00
 Fax: +1 847 478 22 53

EUROPEAN REPRESENTATIVES

GEVA **AUSTRIA**
 Wiener Straße 89
AT-2500 Baden
 Phone: +43 (0)2252 / 85 55 20
 Fax: +43 (0)2252 / 488 60

TEHNIKON **BELARUS**
 Oktyabrskaya 16/5, Off. 703-711
BY-220030 Minsk
 Phone: +375 (0)17 / 210 46 26
 Fax: +375 (0)17 / 210 46 26

ESCO DRIVES & AUTOMATION **BELGIUM**
 Culliganlaan 3
BE-1831 Diegem
 Phone: +32 (0)2 / 717 64 30
 Fax: +32 (0)2 / 717 64 31

Koning & Hartman b.v. **BELGIUM**
 Woluwelaan 31
BE-1800 Vilvoorde
 Phone: +32 (0)2 / 257 02 40
 Fax: +32 (0)2 / 257 02 49

INEA BH d.o.o. **BOSNIA AND HERZEGOVINA**
 Aleja Lipa 56
BA-71000 Sarajevo
 Phone: +387 (0)33 / 921 164
 Fax: +387 (0)33 / 524 539

AKHNATON **BULGARIA**
 4 Andrej Ljapchev Blvd. Pb 21
BG-1756 Sofia
 Phone: +359 (0)2 / 817 6044
 Fax: +359 (0)2 / 97 44 06 1

INEA CR d.o.o. **CROATIA**
 Losinjska 4 a
HR-10000 Zagreb
 Phone: +385 (0)1 / 36 940 -01 / -02 / -03
 Fax: +385 (0)1 / 36 940 -03

AutoCont C.S. s.r.o. **CZECH REPUBLIC**
 Technologická 374/6
CZ-708 00 Ostrava-Pustkovec
 Phone: +420 595 691 150
 Fax: +420 595 691 199

Beijer Electronics A/S **DENMARK**
 Lykkegårdsvej 17
DK-4000 Roskilde
 Phone: +45 (0)46 / 75 76 66
 Fax: +45 (0)46 / 75 56 26

Beijer Electronics Eesti OÜ **ESTONIA**
 Pärnu mnt.160i
EE-11317 Tallinn
 Phone: +372 (0)6 / 51 81 40
 Fax: +372 (0)6 / 51 81 49

Beijer Electronics OY **FINLAND**
 Peltoie 37
FIN-28400 Ulvila
 Phone: +358 (0)207 / 463 540
 Fax: +358 (0)207 / 463 541

UTEKO **GREECE**
 5, Mavrogenous Str.
GR-18542 Piraeus
 Phone: +30 211 / 1206 900
 Fax: +30 211 / 1206 999

MELTRADE Kft. **HUNGARY**
 Fertő utca 14.
HU-1107 Budapest
 Phone: +36 (0)1 / 431-9726
 Fax: +36 (0)1 / 431-9727

Beijer Electronics SIA **LATVIA**
 Rītausmas iela 23
LV-1058 Rīga
 Phone: +371 (0)784 / 2280
 Fax: +371 (0)784 / 2281

Beijer Electronics UAB **LITHUANIA**
 Savanorių Pr. 187
LT-02300 Vilnius
 Phone: +370 (0)5 / 232 3101
 Fax: +370 (0)5 / 232 2980

EUROPEAN REPRESENTATIVES

ALFATRADE Ltd. **MALTA**
 99, Paola Hill
Malta- Paola PLA 1702
 Phone: +356 (0)21 / 697 816
 Fax: +356 (0)21 / 697 817

INTEHSIS srl **MOLDOVA**
 bld. Traian 23/1
MD-2060 Kishinev
 Phone: +373 (0)22 / 66 4242
 Fax: +373 (0)22 / 66 4280

HIFLEX AUTOM.TECHNIEK B.V. **NETHERLANDS**
 Wolweverstraat 22
NL-2984 CD Ridderkerk
 Phone: +31 (0)180 - 46 60 04
 Fax: +31 (0)180 - 44 23 55

Koning & Hartman b.v. **NETHERLANDS**
 Haarderbergweg 21-23
NL-1101 CH Amsterdam
 Phone: +31 (0)20 / 587 76 00
 Fax: +31 (0)20 / 587 76 05

Beijer Electronics AS **NORWAY**
 Postboks 487
NO-3002 Drammen
 Phone: +47 (0)32 / 24 30 00
 Fax: +47 (0)32 / 84 85 77

Fonseca S.A. **PORTUGAL**
 R. João Francisco do Casal 87/89
PT - 3801-997 Aveiro, Esgueira
 Phone: +351 (0)234 / 303 900
 Fax: +351 (0)234 / 303 910

Sirius Trading & Services srl **ROMANIA**
 Aleea Lacul Morii Nr. 3
RO-060841 Bucuresti, Sector 6
 Phone: +40 (0)21 / 430 40 06
 Fax: +40 (0)21 / 430 40 02

Craft Con. & Engineering d.o.o. **SERBIA**
 Bulevar Svetog Cara Konstantina 80-86
SER-18106 Nis
 Phone: +381 (0)18 / 292-24-4/5
 Fax: +381 (0)18 / 292-24-4/5

INEA SR d.o.o. **SERBIA**
 Izletnicka 10
SER-113000 Smederevo
 Phone: +381 (0)26 / 617 163
 Fax: +381 (0)26 / 617 163

SIMAP s.r.o. **SLOVAKIA**
 Jána Derku 1671
SK-911 01 Trenčín
 Phone: +421 (0)32 743 04 72
 Fax: +421 (0)32 743 75 20

PROCONT, spol. s r.o. Prešov **SLOVAKIA**
 Kúpeľná 1/A
SK-080 01 Prešov
 Phone: +421 (0)51 7580 611
 Fax: +421 (0)51 7580 650

INEA d.o.o. **SLOVENIA**
 Stegne 11
SI-1000 Ljubljana
 Phone: +386 (0)1 / 513 8100
 Fax: +386 (0)1 / 513 8170

Beijer Electronics AB **SWEDEN**
 Box 426
SE-20124 Malmö
 Phone: +46 (0)40 / 35 86 00
 Fax: +46 (0)40 / 93 23 01

Omni Ray AG **SWITZERLAND**
 Im Schörl 5
CH-8600 Dübendorf
 Phone: +41 (0)44 / 802 28 80
 Fax: +41 (0)44 / 802 28 28

GTS **TURKEY**
 Bayraktar Bulvarı Nutuk Sok. No:5
TR-34775 Yukarı Dudullu-Ümraniye-İSTANBUL
 Phone: +90 (0)216 526 39 90
 Fax: +90 (0)216 526 39 95

CSC Automation Ltd. **UKRAINE**
 4-B, M. Raskovoyi St.
UA-02660 Kiev
 Phone: +380 (0)44 / 494 33 55
 Fax: +380 (0)44 / 494-33-66

EURASIAN REPRESENTATIVES

Kazpromautomatiks Ltd. **KAZAKHSTAN**
 Mustafina Str. 7/2
KAZ-470046 Karaganda
 Phone: +7 7212 / 50 11 50
 Fax: +7 7212 / 50 11 50

MIDDLE EAST REPRESENTATIVES

ILAN & GAVISH Ltd. **ISRAEL**
 24 Shenkar St., Kiryat Arie
IL-49001 Petah-Tiqva
 Phone: +972 (0)3 / 922 18 24
 Fax: +972 (0)3 / 924 0761

TEXEL ELECTRONICS Ltd. **ISRAEL**
 2 Ha'umanut, P.O.B. 6272
IL-42160 Netanya
 Phone: +972 (0)9 / 863 39 80
 Fax: +972 (0)9 / 885 24 30

CEG INTERNATIONAL **LEBANON**
 Cebaco Center/Block A Autostrade DORA
Lebanon - Beirut
 Phone: +961 (0)1 / 240 430
 Fax: +961 (0)1 / 240 438

AFRICAN REPRESENTATIVE

CBI Ltd. **SOUTH AFRICA**
 Private Bag 2016
ZA-1600 Isando
 Phone: +27 (0)11 / 977 0770
 Fax: +27 (0)11 / 977 0761